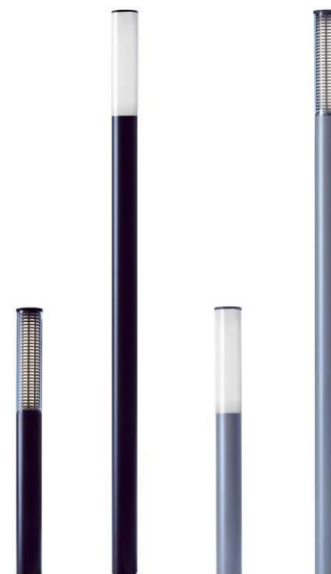


Public Light small LED – Bollard & Light Pole

Functional perfection and aesthetic quality (patent & registered design)



Particularly energy-efficient, long-life power LEDs with only five watts are used in the Public Light small. They provide optimal illumination for footpaths, parks and residential areas. Thanks to the opal or clear luminaire cylinder with reflector, the light is evenly distributed without dazzling passers-by. The LED luminaire system blends into any environment with simple elegance.

Maintenance and cleaning requirements are reduced to a minimum thanks to high-quality materials, a high degree of self-cleaning and extremely robust electrical components. The sturdy support tube and patented impact-resistant mounting of the light cylinder make the UV-stabilised Public Light small resistant for tough outdoor use.

Version:

- Supporting tube made of sturdy aluminium profile, 6 mm wall thickness, powder-coated; additionally coated on the inside in the ground area
- Stable luminaire cylinder, opal or luminaire cylinder clear, UV-stabilised with chrome steel reflector and diffuser
- Lock with only 1 special screw
- Easily removable electrical installation
- Supply cable with plug connection

Electrical installations: LED 5W
Power supply unit AC/DC converter
25W/24V
Supply 230 VAC

- 1) Light colour 3000K, warm white
- 2) Light colour 4000K, neutral white

Options / Accessories:

- Socket
- Motion detector
- One-sided glare protection
- Foot plate for dowelling

Low maintenance thanks to intelligent details

The locking mechanism with only one special screw in the cover allows the luminaire to be opened quickly and easily. The use of a special key by the customer prevents theft or misuse. The screw plug transmits high pressure to the luminous cylinder via the cover. This gives the light attachment very high stability and impact resistance. Insects and spiders have no surface to grip on the luminous cylinder. Support tube and cover are additionally specially anti-graffiti coated.

Standard colours in anti-graffiti:

- Black matt NCS 9000-N
- Grey aluminium matt RAL 9007

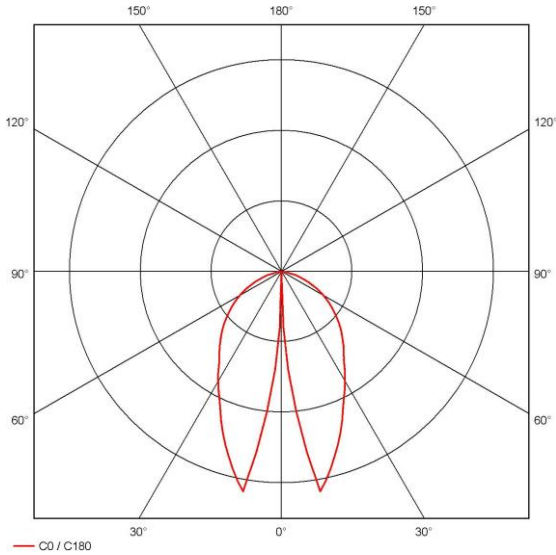
Luminaire installation with plug

Supply cable and luminaire installation are connected by a plug. Thus, the electrical installation can be removed by loosening only two screws. This simple twist saves having to change the electronics on site.

1

Public Light small LED

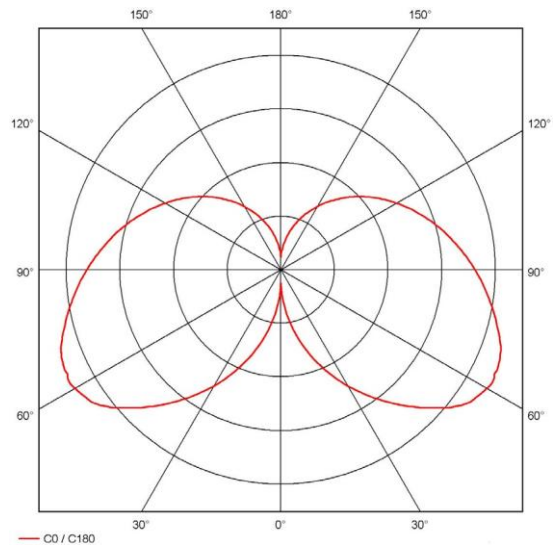
Bollard - Reflector



2

Public Light small LED

Bollard - opal luminous cylinder



Luminaire data LED
Total system performance:
 5 W
 Diameter: 90 mm
 Height: 410 mm

LED fitting
 6 Power LED with special optics
 Performance: 5 W
 Light colour:
 A) 3000K warm white
 B) 4000K neutral white

1

Public Light small LED
 Reflector
 Minimal stray light upwards

1

Bollard - Reflector LED
 Height 1.15 m or 2.45 m

The internal stainless steel reflector distributes the light optimally onto the substrate with high efficiency. Positioning the flat LED lens at the top of the luminaire cylinder again significantly reduces light pollution, as the light is directed downwards from above. Due to the reflection of the polished reflector flaps, faces of passers-by still remain visible.

2

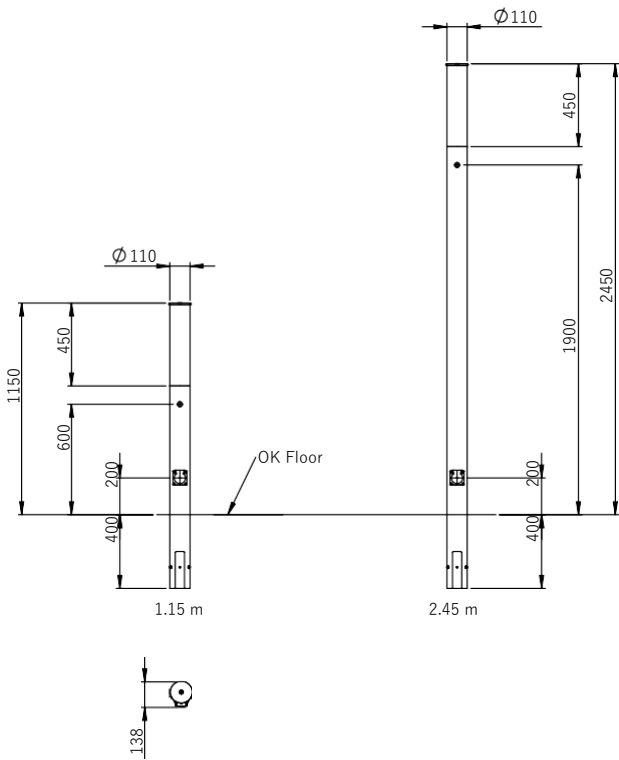
Public Light small LED
 opal luminaire cylinder
 Wide dispersion & high efficiency

2

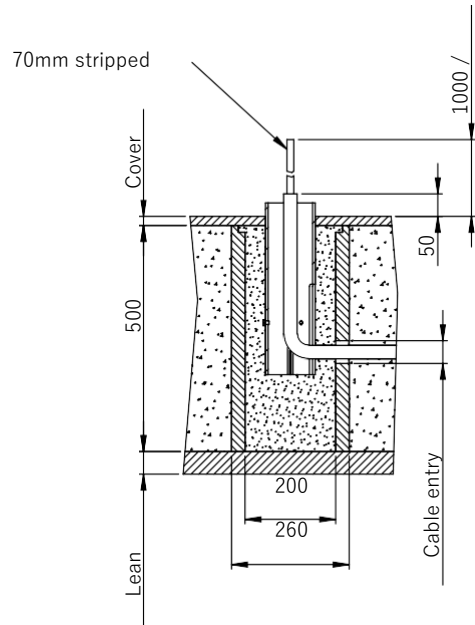
Bollard LED – opal luminous cylinder
 Height 1.15 m or 2.45 m

The opal luminaire cylinder has a very high light output ratio with large diffusion, e.g. for simultaneous illumination of trees or parts of façades. By placing the flat LED lens at the top of the luminaire cylinder, most of the radiation is directed downwards.

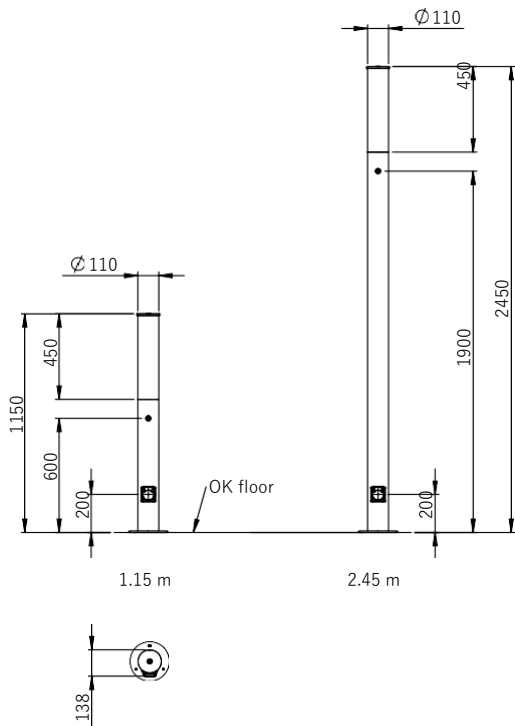
Public Light for setting in concrete



Foundation (1 : 10)



Public Light with footplate



Foot plate (1 : 10)

