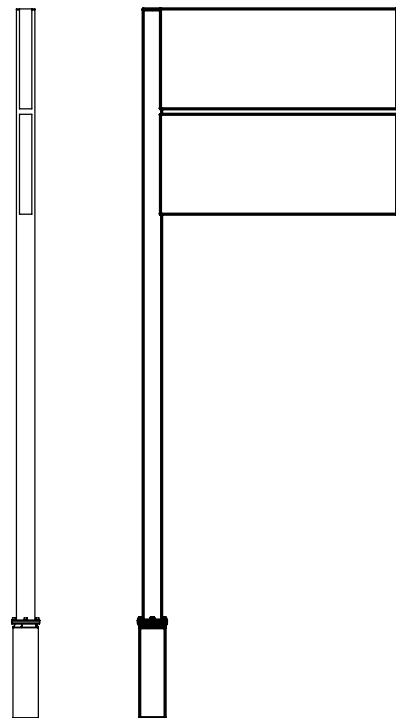


## BURRI Public Bollard System – Signage

Flexible, removable signage and barriers



**In public squares, airports, railway stations and spacious public areas with high transit rates there is a wide range of regularly changing needs for barriers, traffic signs and signage.**

**When traffic regulations are amended temporarily, these must be removed or complemented.**

**BURRI's proven Public Bollard System also answers these challenges.**

**With little work, bollards can, for example, be replaced by signage poles for signposts, street signs or information panels. Thanks to their bayonet locking mechanism, these can be simply and stably fixed in the bollard ground element. Flush with the ground, the bollard foundations allow level passage for passers-by and other road users when no longer required.**

### Construction:

- Square mast or tubular section mast
- Stainless steel, polished
- Steel tube
- Powder-coated
- Anthracite

### Signage:

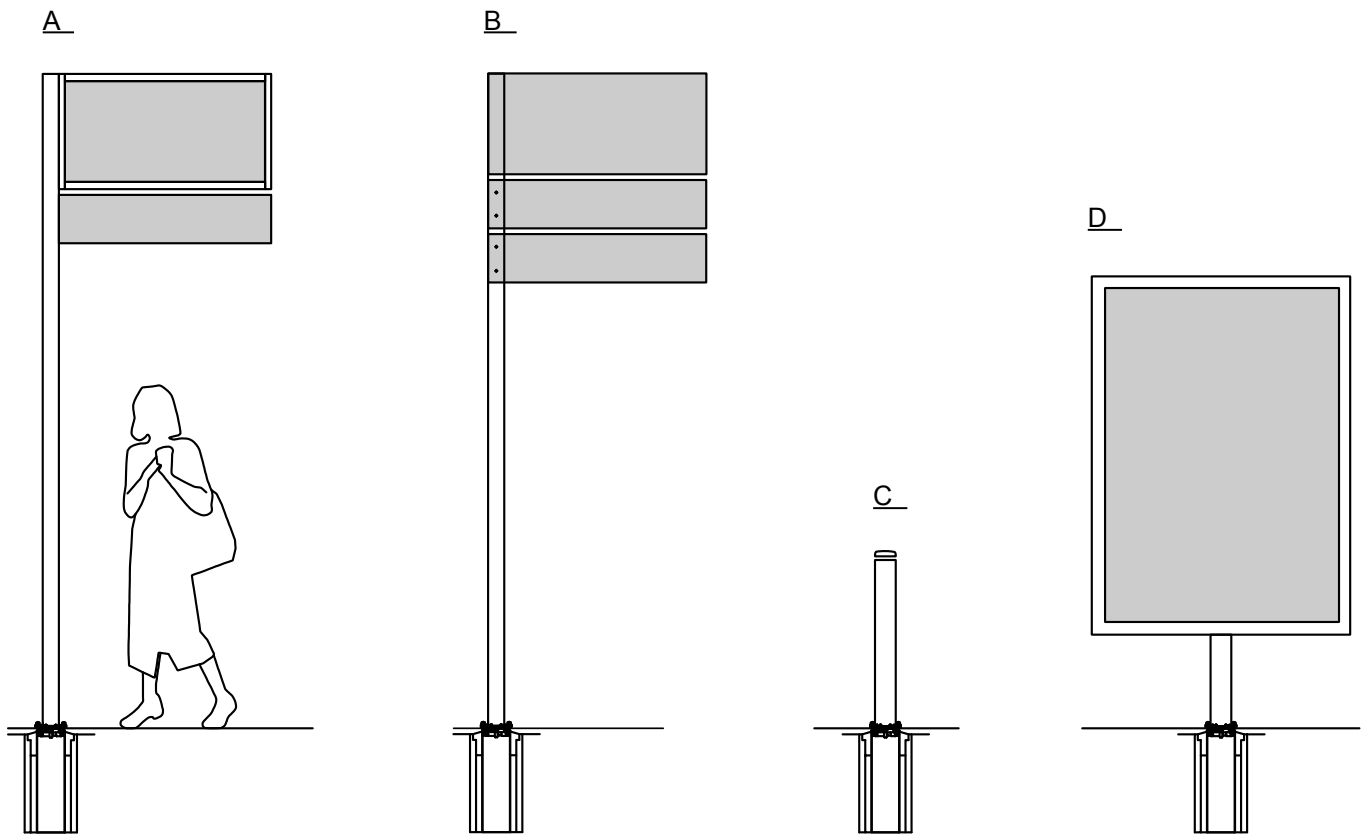
Displays, signs and flags can be added as desired.

### Dimensions:

- Variabel

### Anwendung/Technik:

Bayonet locking mechanism consisting of cast stainless steel claws and a base element, the bayonet locking mechanism is designed to allow both signage and bollards to be easily removed and replaced. These removable Public Bollards can be easily combined with bollards of the same design that are set in concrete and are easy to replace if necessary by signage masts or information panels.



**Variations**

- Square mast or tubular section mast with bayonet locking mechanism
- Displays, signs and flags can be added as required.

A  
Signage with optional extra sign

B  
Information-bearing flag with optional extra signs

C  
Public Bollard

D  
Information board /display cabinet

Special mounting  
Order related

Special designs and colours for masts and signage on request.

Screws and installation materials on request

---

## Options



**Lockable with a bayonet twist lock**  
High-quality, connection piece fits flush with the ground. Locks automatically when inserted. Easy to remove, does not leave trip hazards in the ground.



**Flush with the ground after removal or collision**  
No trip hazards caused by parts protruding from the ground after removal or collision thanks to the high-quality bayonet lock.



**Color and surface treatment options**  
Depending on where they are used, galvanized or powder-coated in a RAL or NCS color of your choice.

## Accessories



**Reflector strip**  
Reflectors in various colors and sizes



**Cover plate**  
To cover the bayonet lock

---