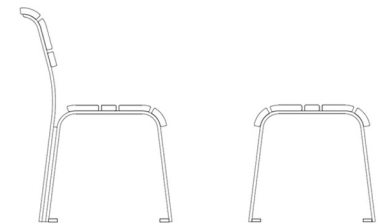
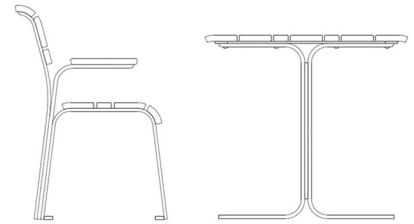


Vivendi - bench system

Seating configurations, all elements can be added as required



All elements in the Vivendi bench system are specially configured for the needs of senior citizens and can be freely combined. The combination of two benches, one with a backrest and one without as well as a combination of two opposite-facing benches result in a harmonious overall picture thanks to the system's symmetrical slat geometry. NATWOOD® wood offers excellent sitting comfort and is highly economical thanks to a long service life. Dependent on their length, benches can be divided into individual seats by one or more armrests.

Construction

- Hot-dip galvanised flat steel frame
- Stainless steel connectors
- Powder-coated on request
- NATWOOD® seat slats (thermo ash finish)
- Other types of wood available on request

Installation

- Anchored to a finished surface (concrete base)
- Freestanding on a firm base
- In-ground resting on 2 concrete foundations

Foundations

Concrete: 75/30/15 cm
Weight: 57 kg

Models

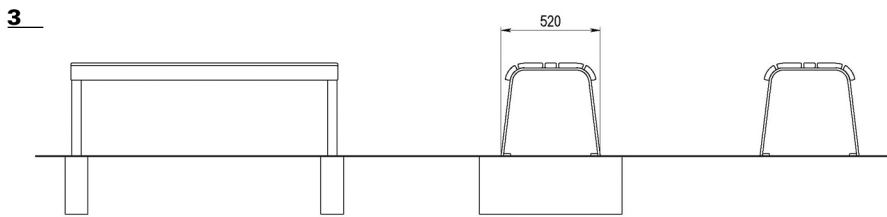
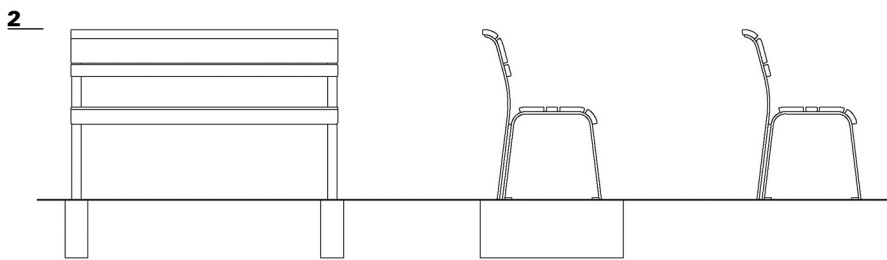
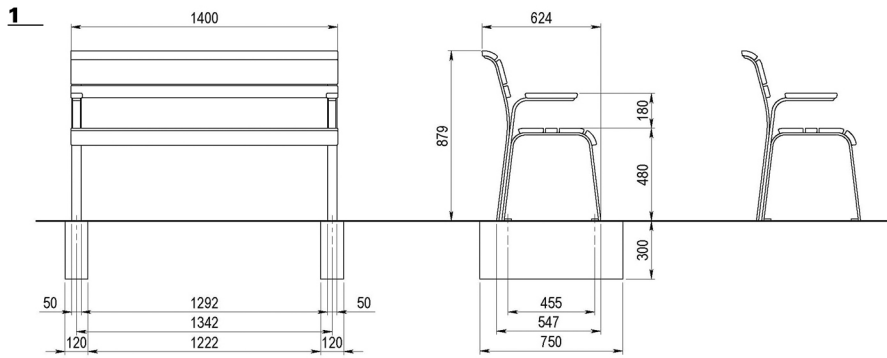
Vivendi - multi-generation bench (1.4/2.2/2.8 m)
- With back- and armrest
- With backrest
- Without backrest

Vivendi - multi-generation seat
- With back- and armrest
- With backrest
- Without backrest

Vivendi - multi-generation table (1.4/2.2/2.8 m)

Special additions and other shapes available on request.

Technical data overleaf.
Prices according to price list.



Vivendi multi-generation bench (1.4 m)

1
**Vivendi multi-generation bench with back-
and armrest**

- Length: 1.4 m
- Weight: 45 kg

2
**Vivendi multi-generation bench with
backrest**

- Length: 1.4 m
- Weight: 43 kg

3
**Vivendi multi-generation bench without
backrest**

- Length: 1.4 m
- Weight: 24 kg

Construction

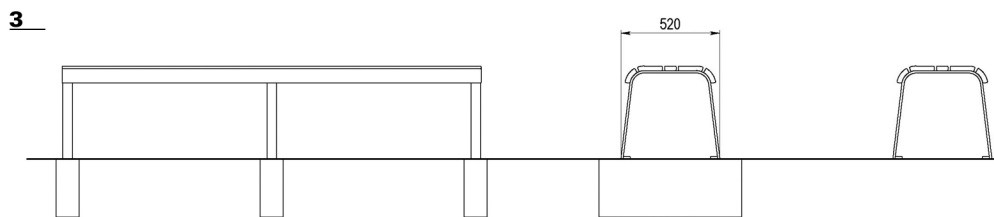
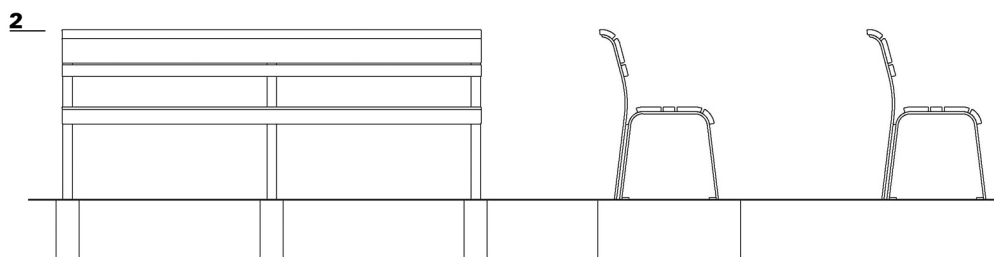
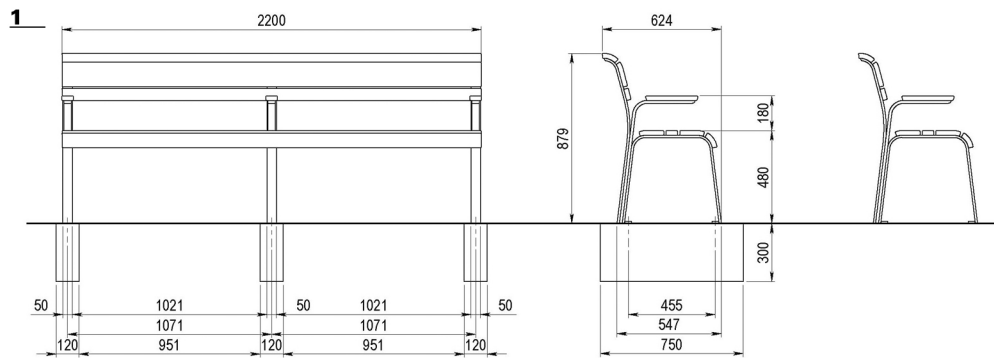
- Hot-dip galvanised flat steel frame
- Stainless steel connectors
- Powder-coated available on request
- NATWOOD® seat slats (thermo ash finish)
- Other types of wood available on request

Installation

- Anchored to a finished surface (concrete base)
- Freestanding on a firm base
- In-ground resting on 2 concrete foundations

Foundations

Concrete: 75x30x15 cm
Weight: 57 kg



Vivendi multi-generation bench (2.2)

**1
Vivendi multi-generation bench with back-
and 2 or 3 armrests**

- Length: 2.2 m
- Weight: 67 kg

**2
Vivendi multi-generation bench with
backrest**

- Length: 2.2 m
- Weight: 64 kg

**3
Vivendi multi-generation bench without
backrest**

- Length: 2.2 m
- Weight: 36 kg

Construction

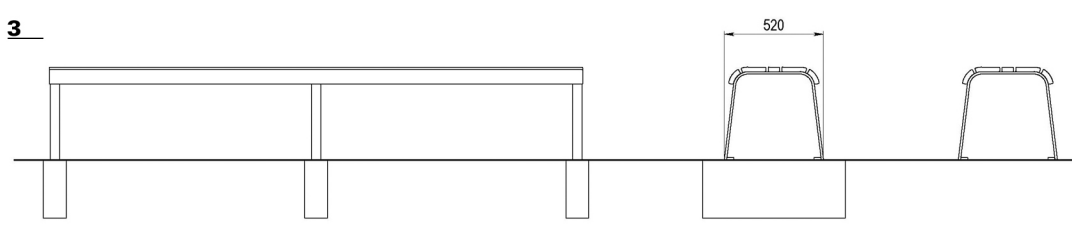
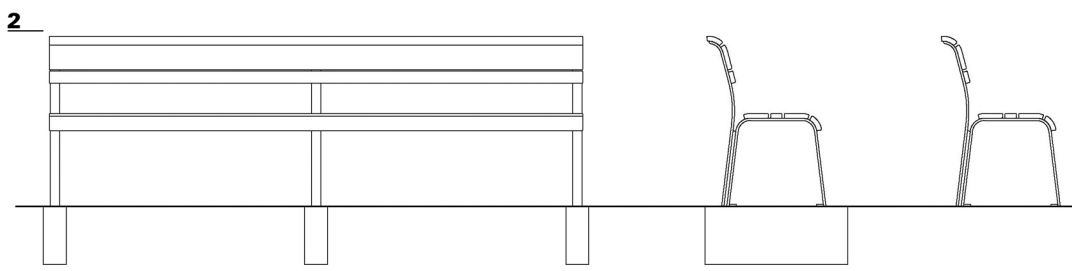
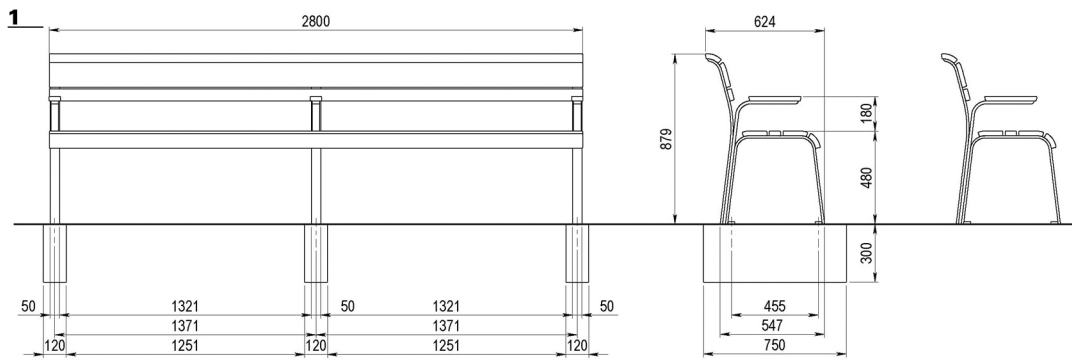
- Hot-dip galvanised flat steel frame
- Stainless steel connectors
- Powder-coated available on request
- NATWOOD® seat slats (thermo ash finish)
- Other types of wood available on request

Installation

- Anchored to a finished surface (concrete base)
- Freestanding on a firm base
- In-ground resting on 2 concrete foundations

Foundations

Concrete: 75x30x15 cm
Weight: 57 kg



Vivendi multi-generation bench (2.8 m)

1 Vivendi multi-generation bench with backrest and 2 or 3 armrests

- Length: 2.8 m
- Weight: 75 kg

2 Vivendi multi-generation bench with backrest

- Length: 2.8 m
- Weight: 71 kg

3 Vivendi multi-generation bench without backrest

- Length: 2.8 m
- Weight: 41 kg

Construction

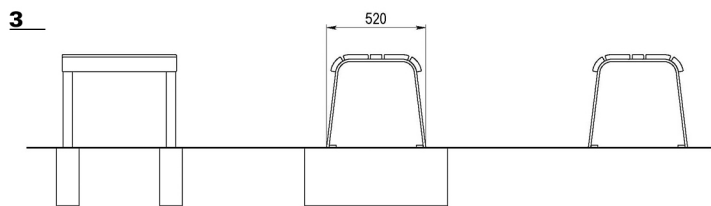
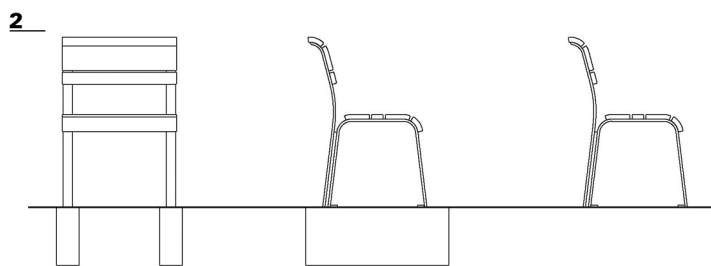
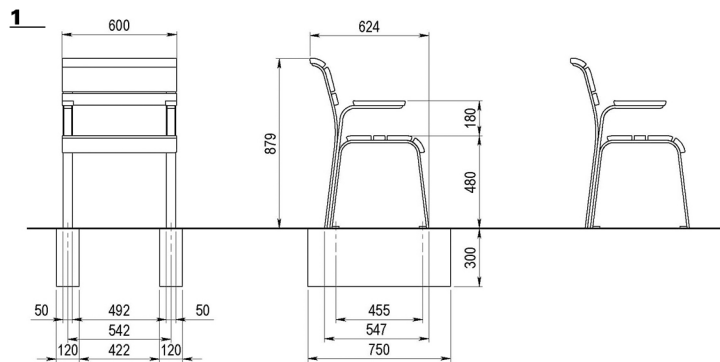
- Hot-dip galvanised flat steel frame
- Stainless steel connectors
- Powder-coated available on request
- NATWOOD® seat slats (thermo ash finish)
- Other types of wood available on request

Installation

- Anchored to a finished surface (concrete base)
- Freestanding on a firm base
- In-ground resting on 2 concrete foundations

Foundations

Concrete: 75x30x15 cm
Weight: 57 kg



Vivendi multi-generation seat

1
Vivendi multi-generation seat with armrest

- Length: 0.6 m
- Weight: 36 kg

2
Vivendi multi-generation seat without armrest

- Length: 0.6 m
- Weight: 33 kg

3
Vivendi multi-generation stool

- Length: 0.6 m
- Weight: 17 kg

Construction

- Hot-dip galvanised flat steel frame
- Stainless steel connectors
- Powder-coated available on request
- NATWOOD® seat slats (thermo ash finish)
- Other types of wood available on request

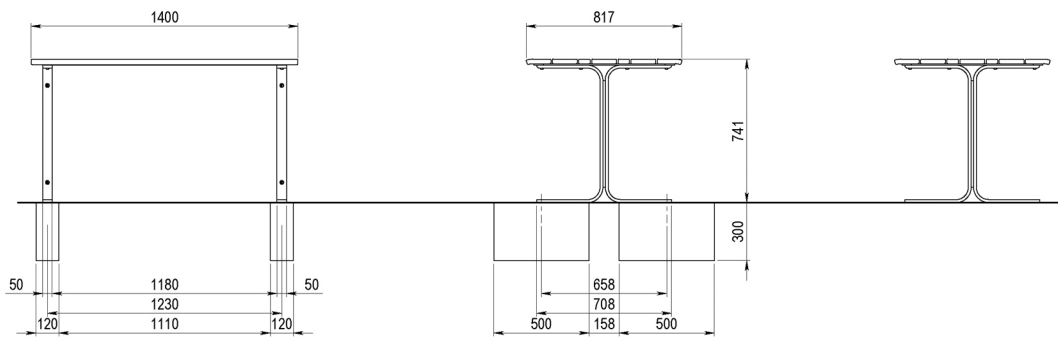
Installation

- Anchored to a finished surface (concrete base)
- Freestanding on a firm base
- In-ground resting on 2 concrete foundations

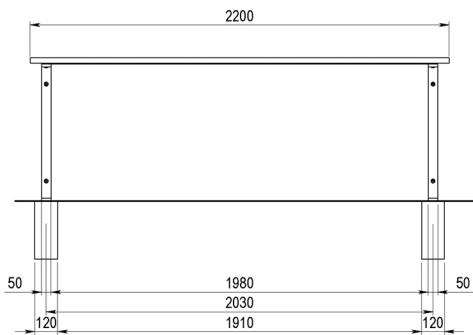
Foundations

- Concrete: 75x30x15 cm
- Weight: 57 kg

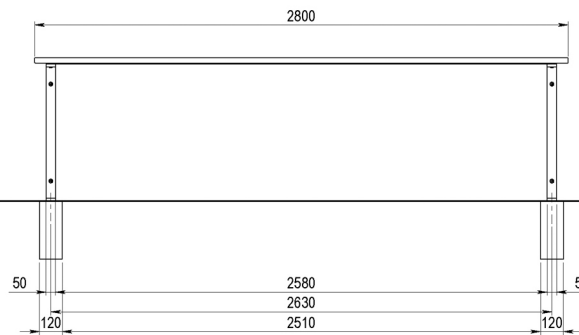
1



2



3



Vivendi multi-generation table

1
Vivendi multi-generation table, short

- Length: 1.4 m
- Weight: 80 kg

2
Vivendi multi-generation table, normal

- Length: 2.2 m
- Weight: 100 kg

3
Vivendi multi-generation table, long

- Length: 2.8 m
- Weight: 125 kg

Construction

- Hot-dip galvanised flat steel frame
- Stainless steel connectors
- Powder-coated available on request
- NATWOOD® seat slats (thermo ash finish)
- Other types of wood available on request

Installation

- Anchored to a finished surface (concrete base)
- Freestanding on a firm base
- In-ground resting on 2 concrete foundations

Foundations

- Concrete: 50x30x15 cm
- Weight: 38 kg

City furnishing for senior citizens

Intergenerational urban furniture

**New ergonomics rendered
in a familiar design
vocabulary**



Society is in a state of demographic flux and population density increasing in many cities. Commissioned by BURRI, Niederrhein University of Applied Sciences researched the individual requirements of various communities in order to address the requirements of a variety of users.

Among other things, the objective consisted in developing special urban furniture variants that would discreetly assist users with impaired mobility without appearing dissimilar to standard models. This resulted in three city benches that meet these requirements and that concomitantly fulfil strict criteria in terms of sustainability and cost-effectiveness.

Stadtmobiliar für Senioren

Ausstattungskriterien für eine altengerechte Stadt

standards and specifications

Stadtmobiliar für Senioren
Ausstattungskriterien für eine altengerechte Stadt



Study conducted by the Social Design Centre at Niederrhein University
City furnishing for senior citizens - criteria for equipping the intergenerational urban centre

Because of the somewhat limited motor function that sets in as the years advance, an upright sitting position, as well as a slightly raised seat and back-rest, are favoured. Sitting down and standing up actions are, thus, significantly eased, and mobility and independence are preserved. Furthermore, a sleek, smooth surface is also preferred.

project partner(s)



Developed in association with Prof. Nicolas Beucker
Objective: preservation of independence and mobility

The research programme on senior citizens requirements in terms of city furnishing was led by Prof. Nicolas Beucker. On the one hand, the expertise of the staff of the Social Design Centre of Excellence at Niederrhein University of Applied Sciences was drawn upon. This involved designers with relevant experience in public design, as well as gerontologists whose expertise in respect of the everyday lives of the elderly was critical. These findings were supplemented by the conclusions that emerged from a focus group workshop consisting of senior citizens displaying disparate levels of activity and mobility. This was supported by two experts experienced in spatial development for the elderly.