

Sol

A hint of the gardens of Japan through simple construction and concise materiality



The philosophy of Japanese landscape gardening is reflected in this suite. The warm materiality of the wood and the workmanship reduced to the essential mould the impression. The ensemble of table, bench with or without backrest and square seating island invites to stay and is particularly suited for green spaces and gardens.

For all Sol objects, BURRI uses steel feet to extend the distance from the ground and thus ensure an optimal drying process. As a result, the wood elements do not come into direct contact with the ground.

Design:

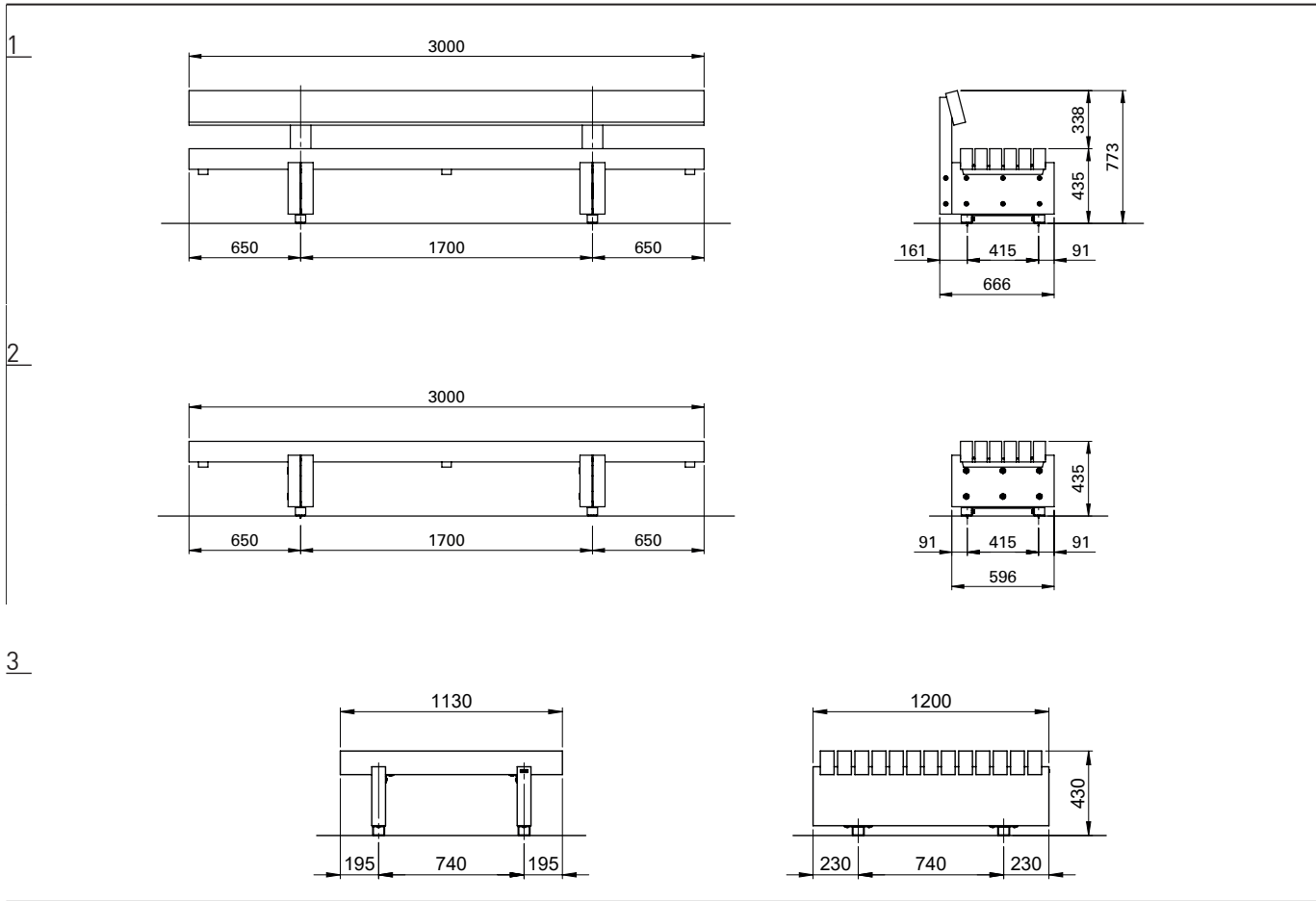
- benches, seating area and table
- natural larch wood

Mounting

- free-standing
- on area planking secured with anchor bolts
- on concrete foundation to be embedded

Technical specifications

see backside



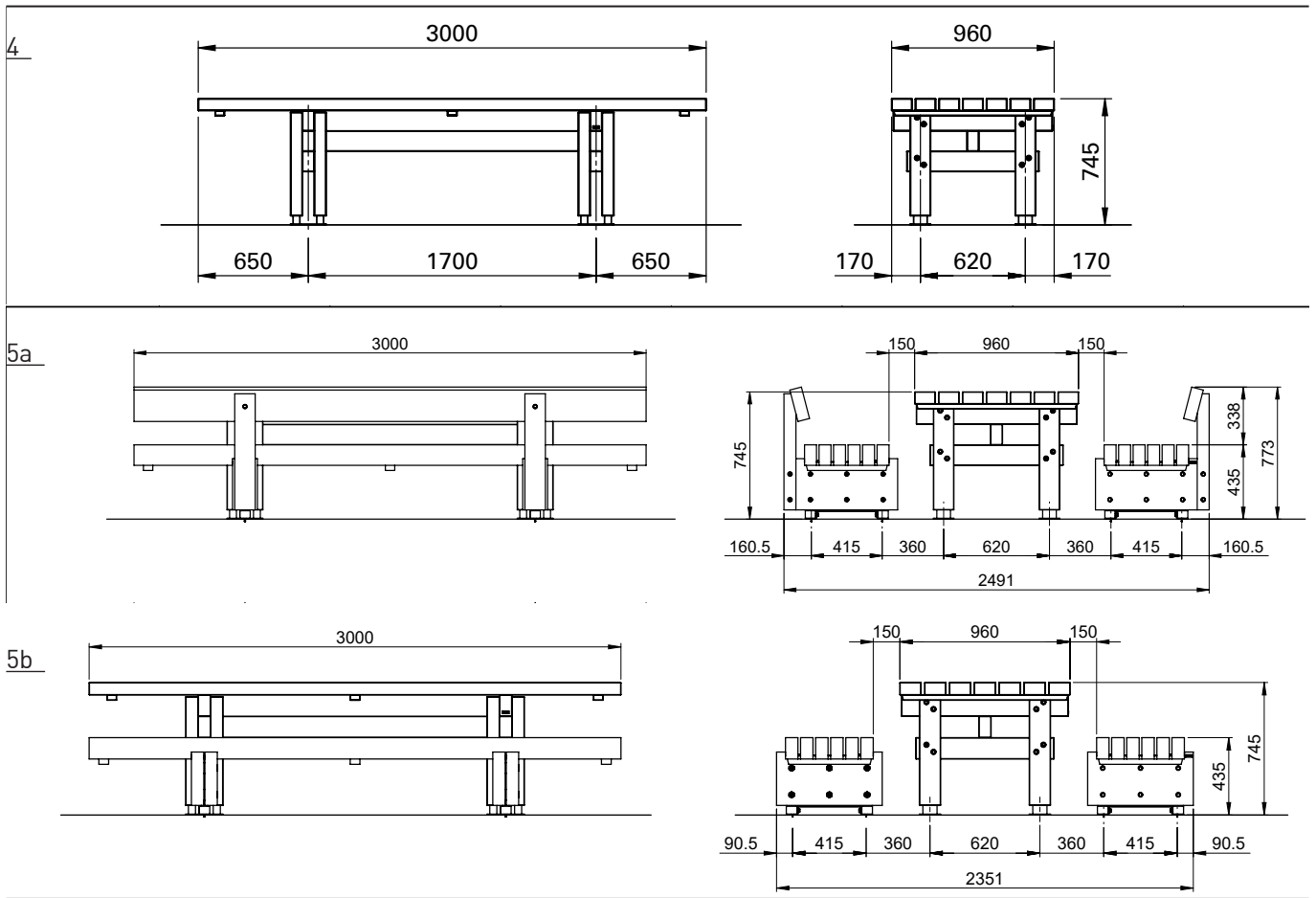
1
Sol with backrest
 - Dimensions 3000 x 666 x 773 mm
 - Seating height 435 mm
 - Weight 153 kg

2
Sol without backrest
 - Dimensions 3000 x 596 x 435 mm
 - Seating height 435 mm
 - Weight

3
Sol square seating area
 - Dimensions 1130 x 1200 x 430 mm
 - Seating height 430 mm
 - Weight 103 kg

Foundations
1 and 2
 Concrete F7500
 Weight 89 Kg

3
 Concrete 4 x F3500
 Weight 4 x 42 Kg



4
Sol table
 - Dimensions 3000 x 960 x 745 mm
 - Weight 161 kg

5
Sol bench-table-bench combination
5a
with backrest
 - Dimensions 2491 x 3000 x 773 mm
 - Seating height 435 mm
 - Weight 467 kg

5b
without backrest
 - Dimensions 2351 x 3000 x 745 mm
 - Seating height 435 mm
 - Weight 406 kg

Foundations
4
 Concrete 4 x F3500
 Weight 4 x 42 Kg