

## SkateboardZ & LongboardZ

The preiswerte Skate- & Longboard rack for schools and public grounds



Skateboards and longboards have been regaining their popularity for quite a while. But there are hardly any functional and robust, yet still aesthetically pleasing, solutions to park or hang these practical modes of transportation in public or semi-private spaces.

SkateboardZ offers precisely this parking opportunity and can be used alone or in combination with the proven KickboardZ stands. Boards can be simply hung up and secured with a padlock (with a long shackle) or a cable lock. With a variety of installation options, SkateboardZ are also easy to extend.

### Version

- Stainless steel/CNS 3mm, glass bead blasted, matt
- laser cut und multiple folding

Colours powder coated, on request

### Characteristics

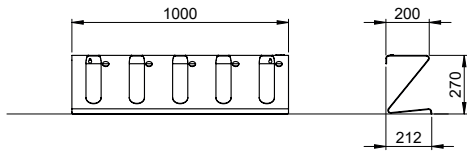
- Simply hang by the skateboard wheel axle, no scratches
- Skateboards are positioned neatly without contacting each other
- Can be combined with KickboardZ
- Can be added to lengthwise as desired, axial dimension 1m
- solid, durable construction for outdoor

### Mounting

Mounting holes for:

- Wall mounting
- Ground mounting, dowelled on concrete surface
- freestanding with bar and possible to be screwed together on backside, accessible from both sides

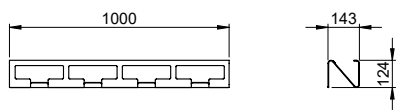
1 KickboardZ



Weight: 15 kg

Item number  
AMACC30921000

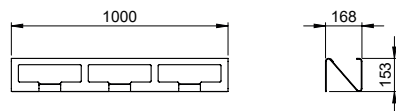
2 SkateboardZ



Weight: 9 kg

Item number  
AMACC40921000

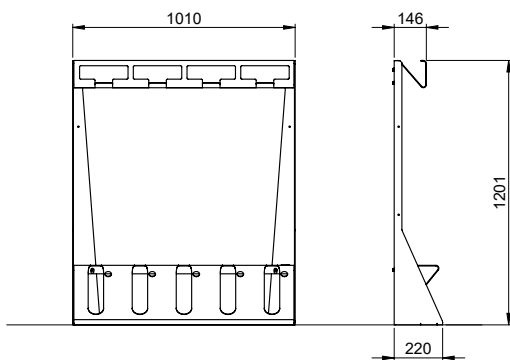
3 LongboardZ



Weight: 9 kg

Item number  
AMACC40921005

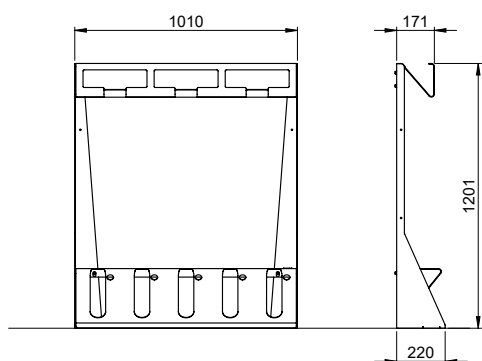
4 Combination KickboardZ + SkateboardZ



Weight: 29 kg

Item number  
AMACC50921000

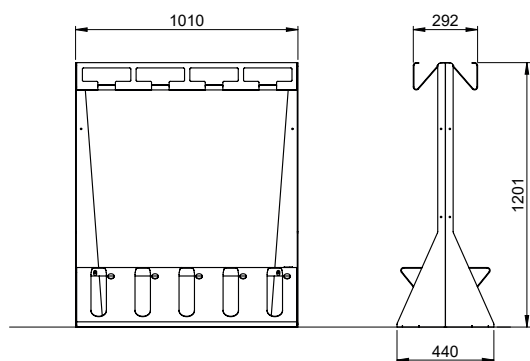
5 Combination KickboardZ + LongboardZ



Weight: 29 kg

Item number  
AMACC60921000

6 Double-sided combination KickboardZ + SkateboardZ



Weight: 56 kg

Item number  
AMACC50921000

Information  
x 2

Each model (1, 2, 3, 4, 5) can be mounted double-sided