

Long bench

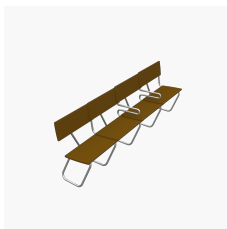
Product family

Polished, curved, tubular stainless steel construction and durable HPL-panel seating surfaces guarantee a long service life and agreeable seating comfort.



Designed by Vogt Landscape Architects, the exclusive “Long bench” combines single segments to form any bench length required. Arranged in a straight line or in different radii, this system can be adapted to suit individual paths or desired seating curves. The arrangement of the seating surfaces can accommodate slight inclines while the seating remains consistently horizontal. Made of solid HPL core panels with a specially-developed surface structure, this design is particularly robust, weather-resistant for decades and dimensionally stable.

Long bench

[→ zu Seite 3](#)

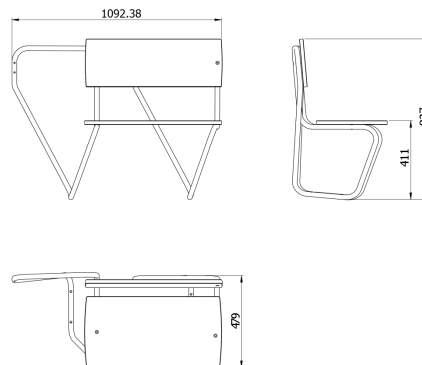
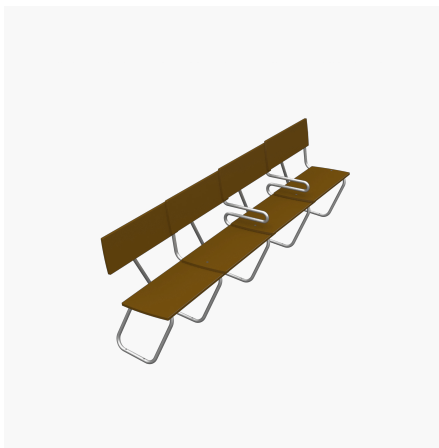
Long Bench

Long Bench

Nr. AMBAS90002820

Technical Specifications

Material frame	Stainless Steel
Material seat	HPL
Width	1,092 mm
Depth	479 mm
Height	837 mm



Unsere Life Cycle Care Services

BURRI hat jahrzehntelange Erfahrung in der Ausstattung öffentlicher Räume. Wir haben spezifische Prozesse und Instrumente entwickelt, um einer Verwahrlosung dieser wichtigen Lebens- und Begegnungsräume entgegen zu wirken.

- Ersatzteile**
- Sichtkontrolle, Inspektion**
- Wartung, Reinigung**
- Instandsetzung**
- Pflegeprodukte & Pflegeanleitungen**



Public Space is
Heimat

BURRI public elements AG
Sägereistrasse 28, CH-8152 Glattbrugg
+41 44 874 44 22
office-ch@burriworld

BURRI public elements Deutschland GmbH
Dohrweg 27, D-41066 Mönchengladbach
+49 2161 400 72 40
office-de@burriworld