

Long bench



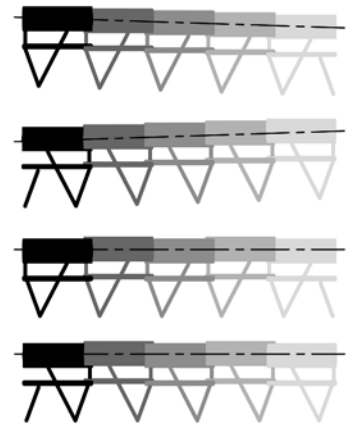
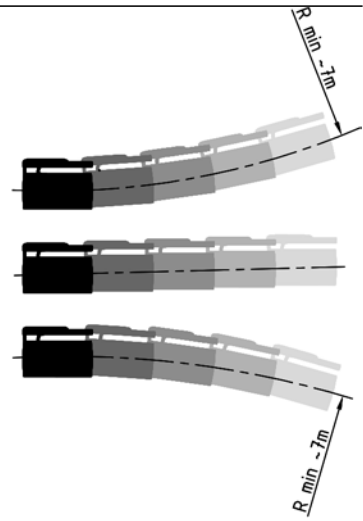
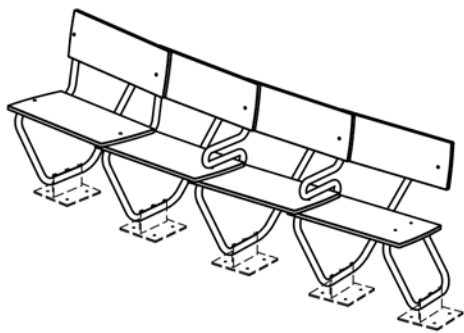
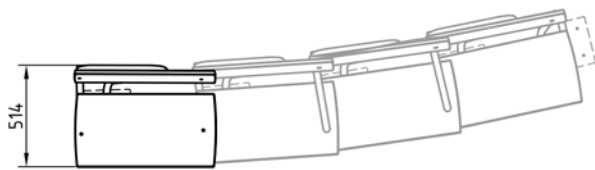
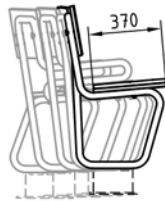
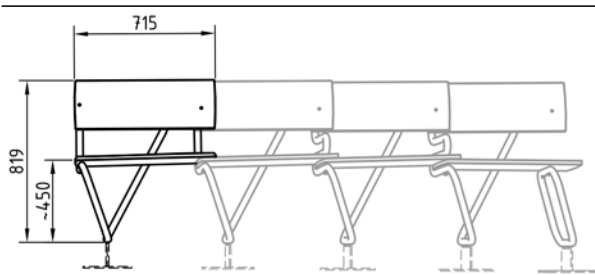
Designed by Vogt Landscape Architects, the exclusive “Long bench” combines single segments to form any bench length required. Arranged in a straight line or in different radii, this system can be adapted to suit individual paths or desired seating curves. The arrangement of the seating surfaces can accommodate slight inclines while the seating remains consistently horizontal. Made of solid HPL core panels with a specially-developed surface structure, this design is particularly robust, weather-resistant for decades and dimensionally stable.

Polished, curved, tubular stainless steel construction and durable HPL-panel seating surfaces guarantee a long service life and agreeable seating comfort. To quote Vogt Landscape Architects, the elegant “bark beetle” grain of the seating surfaces is, “a little parody on the artificial wood grain commonly encountered”.

Originally designed for the Elisabethen Park in Basel, Burri’s “Long bench” can also be found in the Kornmarkt in Bregenz and the Lohse Park in Hamburg.

Technical data overleaf.
Prices available on request.

Design: Vogt landscape architects



Construction

- Tubular stainless steel construction, \varnothing 33.7mm or \varnothing 25mm
- Seating and backrest of 20 mm thick HPL with "bark beetle" wood grain
- Elements with armrests can also be integrated

Installation

- Elements are interconnected by countersunk M8 csk screws
- Anchored to a finished surface/concrete
- Available with foot extensions for concealed foundations

Models (single elements)

- Standard width: 715mm, height 819mm
- Individual designs and special end elements available on request