

Landino

Children's furniture for playgrounds and kindergartens



To make the public space usable for all people, furniture is required which invites to it. Most seats and tables are too high for small children. That is why BURRI has also designed furniture suitable for children.

Landino is based on the Landi line, but is a simplified version of it. The material combination remains the same, including a hot-dip galvanised substructure that is concealed and screwed together. The design and the entire construction is somewhat simpler, suitable for children.

Landino is already in use in many playgrounds and numerous kindergartens in Switzerland.

Version

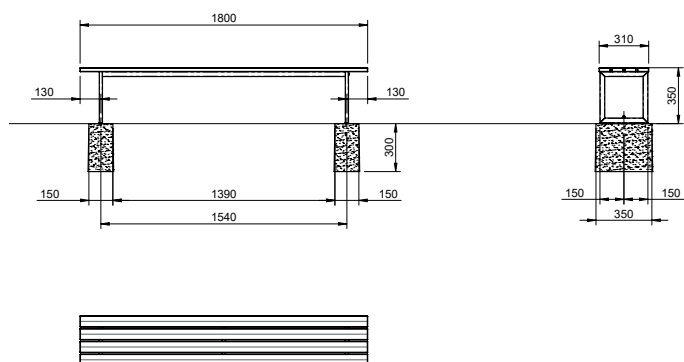
- Hot-dip galvanised steel tube frame
- Seat slats fir wood, red (5E503), painted
- Natural wood in larch

Other types of wood or colours on request.

Installation

- On concrete foundation to be embedded
- On platform planking, possibly secured with anchor bolts

1 Landino children's bench without backrest

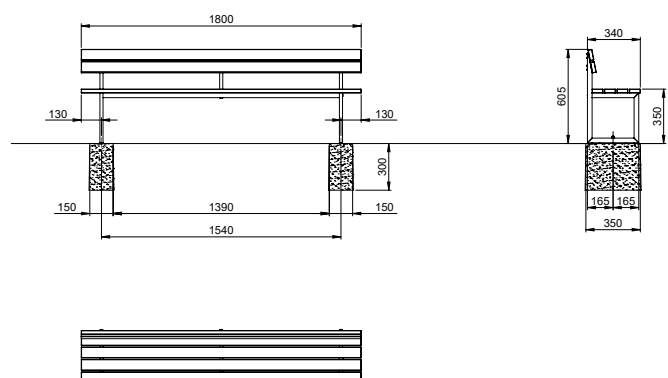


Weight: 16 kg

Item number Seating surface material

AMBAN10002507 Larch nature
 AMBAN10002505 Fir red painted

2 Landino children's bench with backrest

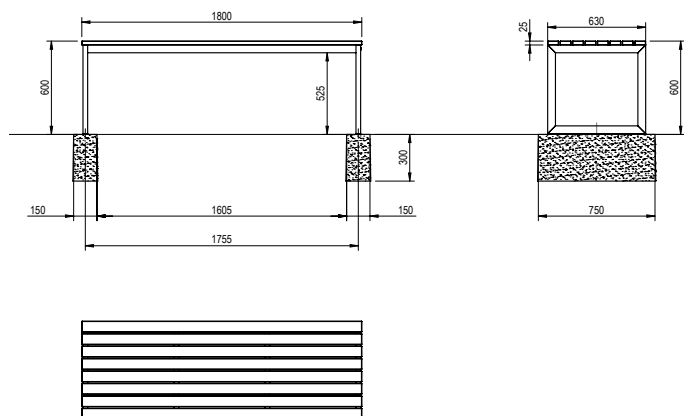


Weight: 20 kg

Item number Seating surface material

AMBAN10002517 Larch nature
 AMBAN10002515 Fir red painted

3 Landino table



Weight: 31 kg

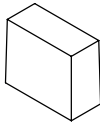
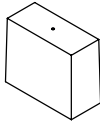
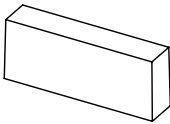
Item number Seating surface material

AMBAN10002530 Larch nature

Landino children's bench without backrest = 1

Landino children's bench with backrest = 2

Landino table = 3

Concrete foundations				
Graphic	Item number	Description	Number	Bench seat
	AMBAN91003500	for ground installation Dimensions: 350 x 300 x 150 mm Weight: 42 kg	2 pieces	1, 2
	AMBAN91003510	for ground installation with CNS threaded sleeve M10 Dimensions: 350 x 300 x 150 mm Weight: 42 kg	2 pieces	1, 2
	AMBAN91007500	for ground installation Dimensions: 750 x 300 x 150 mm Weight: 98 kg	2 pieces	4