

Landi Bench

Round tube bench in the Bauhaus style



The Landi Bench is an integral element of the Swiss cityscape.

Designed for the Swiss National Exhibition in 1939, this Landi Bench from BURRI has been in service for decades – in public parks and city squares, at viewpoints and in Swiss railway stations. The durability and timeless design of the Landi make it an extremely popular public bench for all generations.

The Landi Bench is analogous to the classic from 1939. However, the geometry is adapted to the ergonomics of contemporary users.

A table in a corresponding design is available for the different variants of the Landi.

Version:

- Galvanized tubular steel frame
- Stainless steel bolts
- Solid wood seat slats
 - Natural larch
 - ARBODUR® (Thermo Ash finish)
 - NATWOOD® (Thermo Ash finish)
 - Natural Robinia
 - Fir green-grey or painted red
 - Accoya®

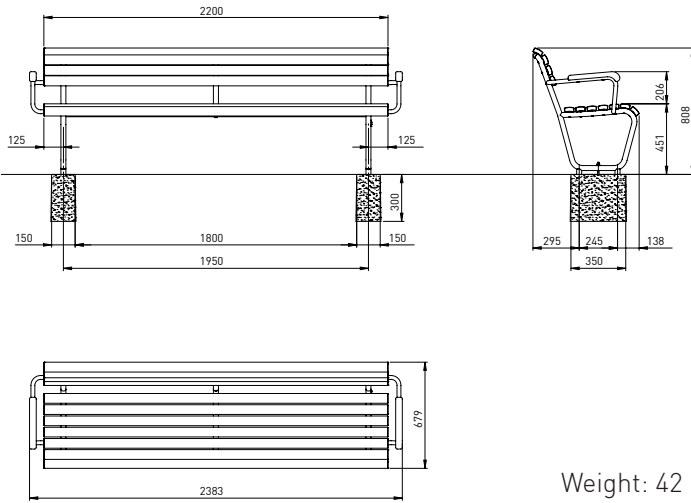
Other colours and woods on request

Installation

- with base plates for free mounting
- dowelled onto solid flooring
- concrete foundations for ground installation
- with adapters for discrete installation

See overleaf for technical specifications

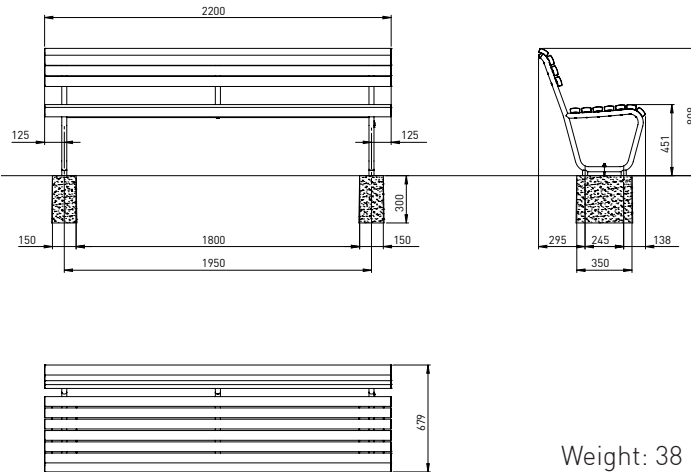
1 Landi Bench with back and armrests



Weight: 42 kg

Item number	Seating surface material
AMBAN1000.2443	Natural larch
AMBAN1000.2450	NATWOOD®
AMBAN1000.2441	Natural Robinia
AMBAN1000.2442	Fir painted (RAL/NCS)
AMBAN1000.2447	Fir green-grey painted
AMBAN1000.2445	Fir red painted
AMBAN1000.2461	Accoya®
AMBAN1000.2488	ARBODUR®

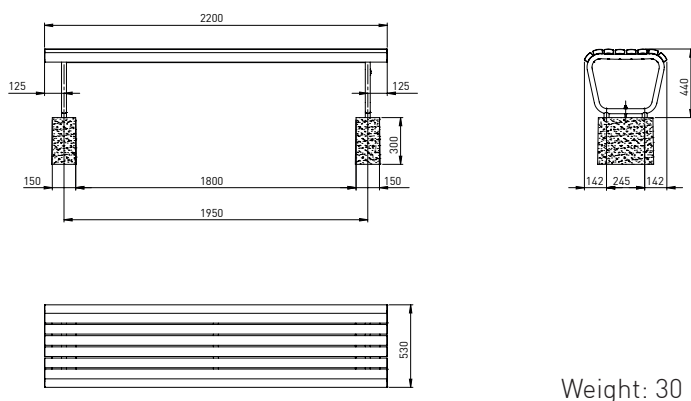
2 Landi Bench with backrest



Weight: 38 kg

Item number	Seating surface material
AMBAN1000.2423	Natural larch
AMBAN1000.2430	NATWOOD®
AMBAN1000.2421	Natural Robinia
AMBAN1000.2422	Fir painted (RAL/NCS)
AMBAN1000.2427	Fir green-grey painted
AMBAN1000.2425	Fir red painted
AMBAN1000.2462	Accoya®
AMBAN1000.2487	ARBODUR®

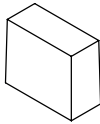
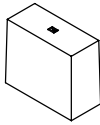
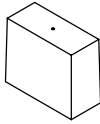
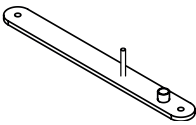
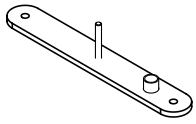
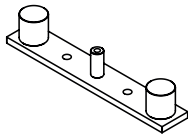
3 Landi Bench without backrest



Weight: 30 kg

Item number	Seating surface material
AMBAN1000.2413	Natural larch
AMBAN1000.2419	NATWOOD®
AMBAN1000.2411	Natural Robinia
AMBAN1000.2412	Fir painted (RAL/NCS)
AMBAN1000.2417	Fir green-grey painted
AMBAN1000.2415	Fir red painted
AMBAN1000.2463	Accoya®
AMBAN1000.2486	ARBODUR®

Landi Bench with back and armrests = 1
 Landi Bench with backrest = 2
 Landi Bench without backrest = 3

Concrete foundations				
Graphic	Item number	Description	Number	Bench seat
	AMBAN91003500	for ground installation Dimensions: 350 x 300 x 150 mm Weight: 42 kg	2 pieces	1, 2, 3
	AMBAN91003501	for ground installation with anchor rail Dimensions: 350 x 300 x 150 mm Weight: 42 kg	2 pieces	1, 2, 3
	AMBAN91003510	for ground installation with CNS threaded sleeve M10 Dimensions: 350 x 300 x 150 mm Weight: 42 kg	2 pieces	1, 2, 3
Base plates				
Graphic	Item number	Description	Number	Bench seat
	AMBAN90001014	for positioning on finished flooring Dimensions: 60/10 x 550mm	2 pieces	1, 2
	AMBAN90001015	for positioning on finished flooring Dimensions: 60/10 x 405mm	2 pieces	3
Adapters				
Graphic	Item number	Description	Number	Bench seat
	AMBAN10001016	for positioning 5cm under finished floor / dowelling onto foundations	2 pieces	1, 2, 3