

## Landi Bench with aluminium slats

From the Landi model range– for public spaces with strong environmental conditions



The Landi Bench with aluminium slats is ideal for public spaces that are impacted by strong environmental conditions. The aluminium guarantees rust and moss-free use for years, saving the owner from intensive maintenance work. Even after flooding, the seat will retain its original form. The aluminium is thus the decisive difference over a conventional wooden bench and also serves to lend the seating a high-quality appearance. No flammable materials are used in the Landi Bench with aluminium slats.

In form and design, the bench seat with aluminium slats corresponds to the classic Landi Bench, which was designed by Alfred Altherr and Charles Hoch for the Swiss National Exhibition in 1939.

### Version:

- Galvanized tubular steel frame
- Stainless steel bolts
- Red anodised aluminium seat slats

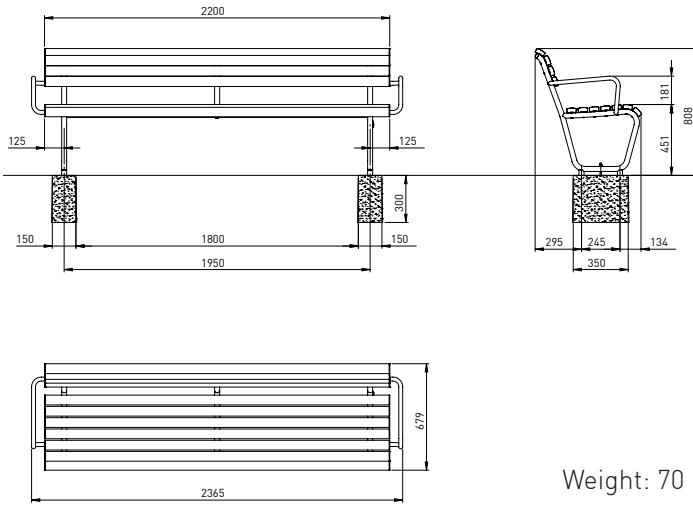
Other colours on request

### Installation

- with base plates for free mounting
- dowelled onto solid flooring
- concrete foundations for ground installation
- with adapters for discrete installation

See overleaf for technical specifications

1 Landi Bench with aluminium slats with back and armrests



Weight: 70 kg

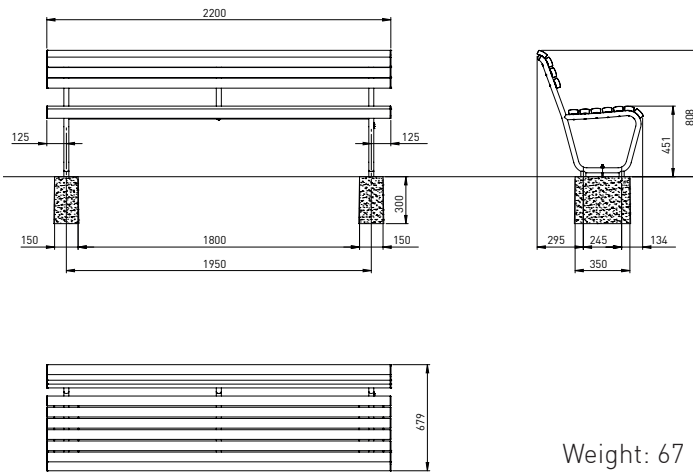
Item number

Seating surface material

AMBAN10241020

Red anodised aluminium seat slats

2 Landi Bench with aluminium slats with backrest



Weight: 67 kg

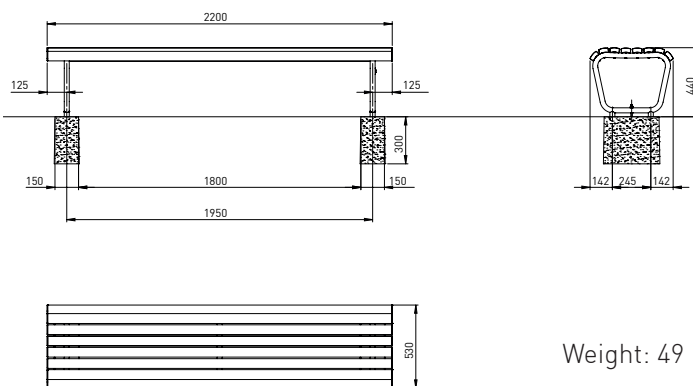
Item number

Seating surface material

AMBAN10241010

Red anodised aluminium seat slats

3 Landi Bench with aluminium slats without backrest



Weight: 49 kg

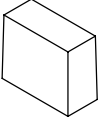
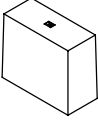
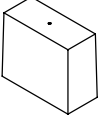
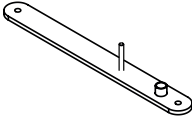
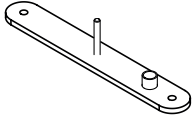
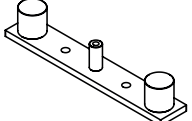
Item number

Seating surface material

AMBAN10241000

Red anodised aluminium seat slats

Landi Bench with aluminium slats with back and armrests = 1  
 Landi Bench with aluminium slats with backrest = 2  
 Landi Bench with aluminium slats without backrest = 3

<b>Concrete foundations</b>				
Graphic	Item number	Description	Number	Bench seat
	AMBAN91003500	for ground installation Dimensions: 350 x 300 x 150 mm Weight: 42 kg	2 pieces	1, 2, 3
	AMBAN91003501	for ground installation with anchor rail Dimensions: 350 x 300 x 150 mm Weight: 42 kg	2 pieces	1, 2, 3
	AMBAN91003510	for ground installation with CNS threaded sleeve M10 Dimensions: 350 x 300 x 150 mm Weight: 42 kg	2 pieces	1, 2, 3
<b>Base plates</b>				
Graphic	Item number	Description	Number	Bench seat
	AMBAN90001014	for positioning on finished flooring Dimensions: 60/10 x 550mm	2 pieces	1, 2
	AMBAN90001015	for positioning on finished flooring Dimensions: 60/10 x 405mm	2 pieces	3
<b>Adapters</b>				
Graphic	Item number	Description	Number	Bench seat
	AMBAN10001016	for positioning 5cm under finished floor / dowelling onto foundations	2 pieces	1, 2, 3