

Landi Solitaire

The single seat for stimulated group discussions or single breathing breaks



Designed for the Swiss National Exhibition in 1939, this Landi Bench from BURRI has been in service for decades. Today, it is accompanied by numerous adaptations to the Landi family. For example, the single-seat version of the Landi Bench.

Typically, benches are found on the edges of a public square. However, stools and armchairs can also be used over an entire space. Despite the permanent installation, the single-seaters give the impression of being freestanding. The result is a more open and inviting appearance for the public space.

If the armchairs and stools are arranged as a group, they facilitate animated conversations; if positioned alone, they permit breathing space from busy surroundings.

Version:

- Galvanized tubular steel frame
- Stainless steel bolts
- Solid wood seat slats
 - Natural larch
 - Fir g painted

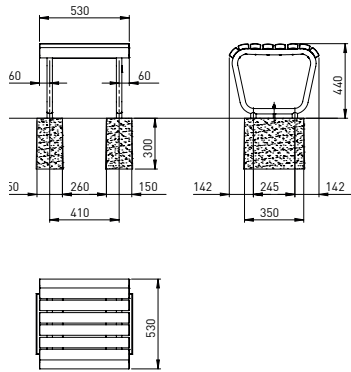
Other woods on request

Installation

- with base plates for free mounting
- dowelled onto solid flooring
- concrete foundations for ground installation
- with adapters for discrete installation

See overleaf for technical specifications

1 Landi stool

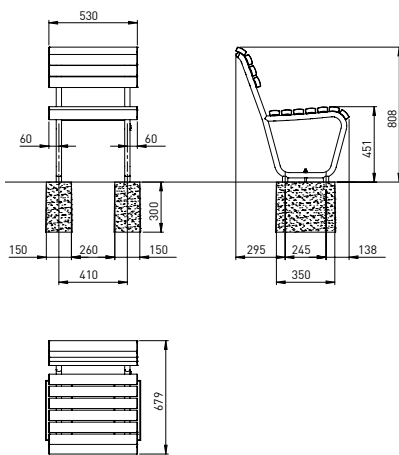


Weight: 10 kg

Item number Seating surface material

AMBAN90990111 Natural larch
AMBAN90990112 Fir painted (RAL/NCS)

2 Landi armchair

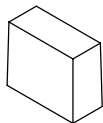
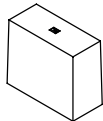
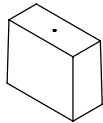
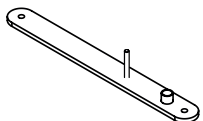
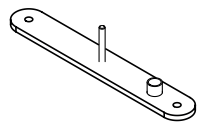
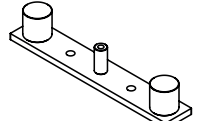


Weight: 15 kg

Item number Seating surface material

AMBAN90990120 Natural larch
AMBAN90990121 Fir painted (RAL/NCS)

Landi stool = 1
Landi armchair = 2

Concrete foundations				
Graphic	Item number	Description	Number	Bench seat
	AMBAN91003500	for ground installation Dimensions: 350 x 300 x 150 mm Weight: 42 kg	2 pieces	1, 2
	AMBAN91003501	for ground installation with anchor rail Dimensions: 350 x 300 x 150 mm Weight: 42 kg	2 pieces	1, 2
	AMBAN91003510	for ground installation with CNS threaded sleeve M10 Dimensions: 350 x 300 x 150 mm Weight: 42 kg	2 pieces	1, 2
Base plates				
Graphic	Item number	Description	Number	Bench seat
	AMBAN90001014	for positioning on finished flooring Dimensions: 60/10 x 550mm	2 pieces	2
	AMBAN90001015	for positioning on finished flooring Dimensions: 60/10 x 405mm	2 pieces	1
Adapters				
Graphic	Item number	Description	Number	Bench seat
	AMBAN10001016	for positioning 5cm under finished floor / dowelling onto foundations	2 Spieces	1, 2