

Landi Round Bench

Elegant, steambent seat slats



The Landi Round Bench – with or without backrest – is based on the legendary 1939 Bauhaus-style Landi Bench, and offers solutions for round seating formations (tree bench, individual segment, seating group).

Using the complex steam-bending process, the wooden slats can be bent into radii of up to 70 cm, without tension. The steam-bent slats of larch or ash are superior to the layer-glued alternatives – not only with respect to their gorgeous appearance, but also thanks to the equally outstanding material properties that are otherwise only found in wood that is unchanged in form. The seat slats feature high aging resistance– in all weathers and also with heavy use in public spaces.

Version:

- Galvanized tubular steel frame
- Stainless steel bolts
- seat slats steambent from natural larch

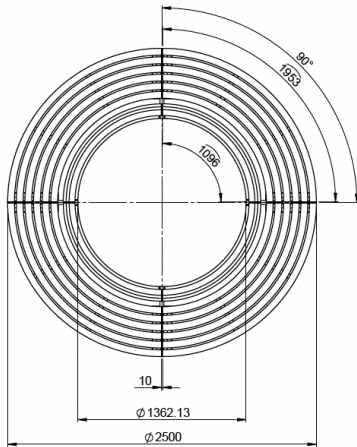
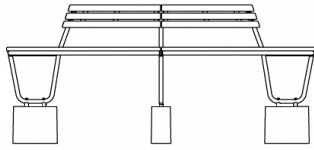
Other colours and woods on request

Installation

- with base plates for free mounting
- dowelled onto solid flooring
- concrete foundations for ground installation
- with adapters for discrete installation

See overleaf for technical specifications

1 Landi Round Bench with backrest

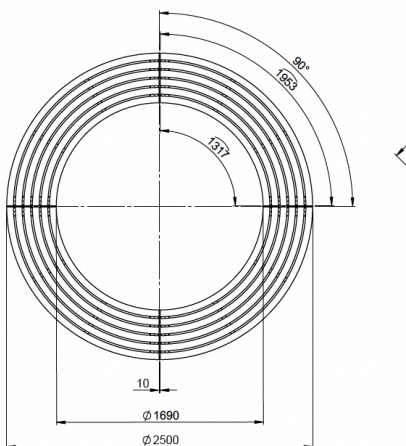
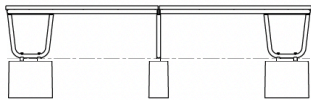


Weight: 135 kg

Item number Seating surface material

AMBAN1000.3811 Natural larch

2 Landi Round bench without backrest

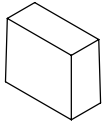


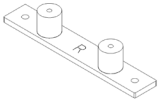
Weight: 100 kg

Item number Seating surface material

AMBAN1000.3816 Natural larch

Landi Round Bench with backrest = 1
Landi Round Bench without backrest = 2

Concrete foundations				
Graphic	Item number	Description	Number	Bench seat
	AMBAN91003500	for ground installation Dimensions: 350 x 300 x 150 mm Weight: 42 kg	4 pieces	1, 2

Adapters				
Graphic	Item number	Description	Number	Bench seat
	AMBAN10001001	Adapter part for 50mm below the floor	4 pieces	1, 2
