

KickboardZ

The robust kick scooter rack for schools and public grounds



Kick scooters are used everywhere and are established as a simple way of transportation for kids, youngsters and adults. The difficulty in providing an adequately functional, shapely and inexpensive parking solution which is easily used by all age groups is unsolved until now.

With its distinct graphical appearance, KickboardZ elegantly conforms to all these requirements and confidently blends into all environments. Forget the challenging folding and hanging of the scooter with KickboardZ: Just slide the scooter into the rack and secure with a bike lock if necessary.

KickboardZ is very robust and simply mounted in different ways.

Version

- Stainless steel/CNS 3mm, glass bead blasted, matt
- laser cut und multiple folding

Colours powder coated, on request

Characteristics

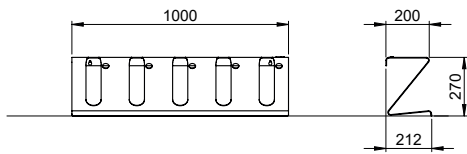
- Kickboards can easily be parked
- Kickboard do not roll out do to the slanting bottom
- locking possibility with bike lock
- Can be added to lengthwise as desired, dimension between axes 1 m
- back to back for double parking
- solid, durable construction for outdoor

Mounting

Mounting holes for:

- Wall mounting
- Ground mounting, dowelled on concrete surface, free standing in private or protected area

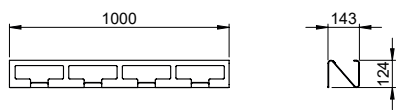
1 KickboardZ



Weight: 15 kg

Item number
AMACC30921000

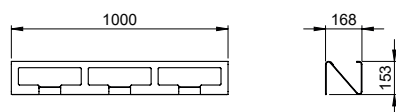
2 SkateboardZ



Weight: 9 kg

Item number
AMACC40921000

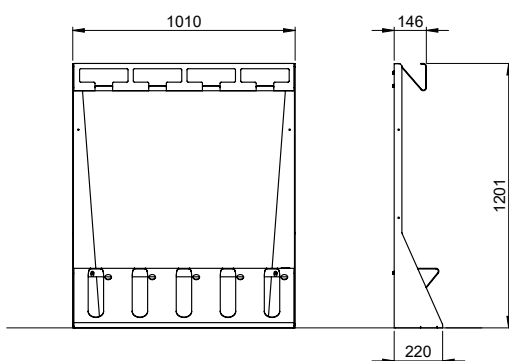
3 LongboardZ



Weight: 9 kg

Item number
AMACC40921005

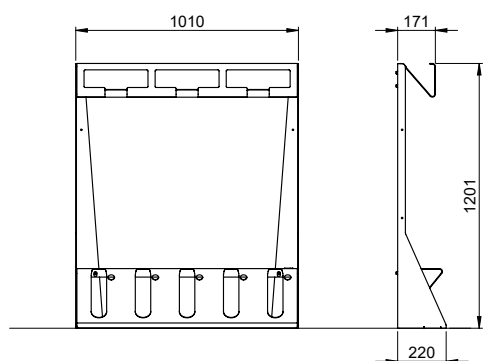
4 Combination KickboardZ + SkateboardZ



Weight: 29 kg

Item number
AMACC50921000

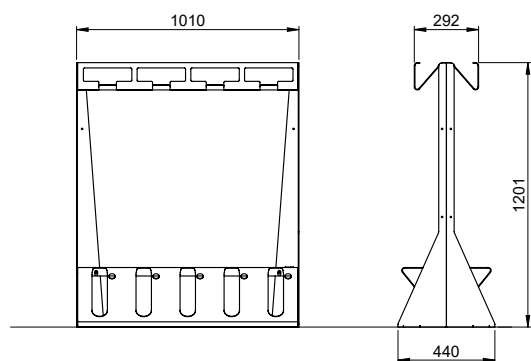
5 Combination KickboardZ + LongboardZ



Weight: 29 kg

Item number
AMACC60921000

6 Double-sided combination KickboardZ + SkateboardZ



Weight: 56 kg

Item number
AMACC50921000

Information
x 2

Each model (1, 2, 3, 4, 5) can be mounted double-sided