

GO INFO - Mobile indoor F4 twin-sided stele

A perfect blend of maximum stability, mobility and function



This mobile F4 twin-sided stele is used to provide additional event-specific information in indoor areas. The F4 subject and head sections are easy to change in seconds without any need for tools. These steles are particularly stable thanks to their heavy base, but are still easy to manoeuvre in all directions. Four special castors integrated into the base can be simultaneously locked for swivel and rotation by a single pedal. Easy handling, high mobility and smooth running are guaranteed at all times.

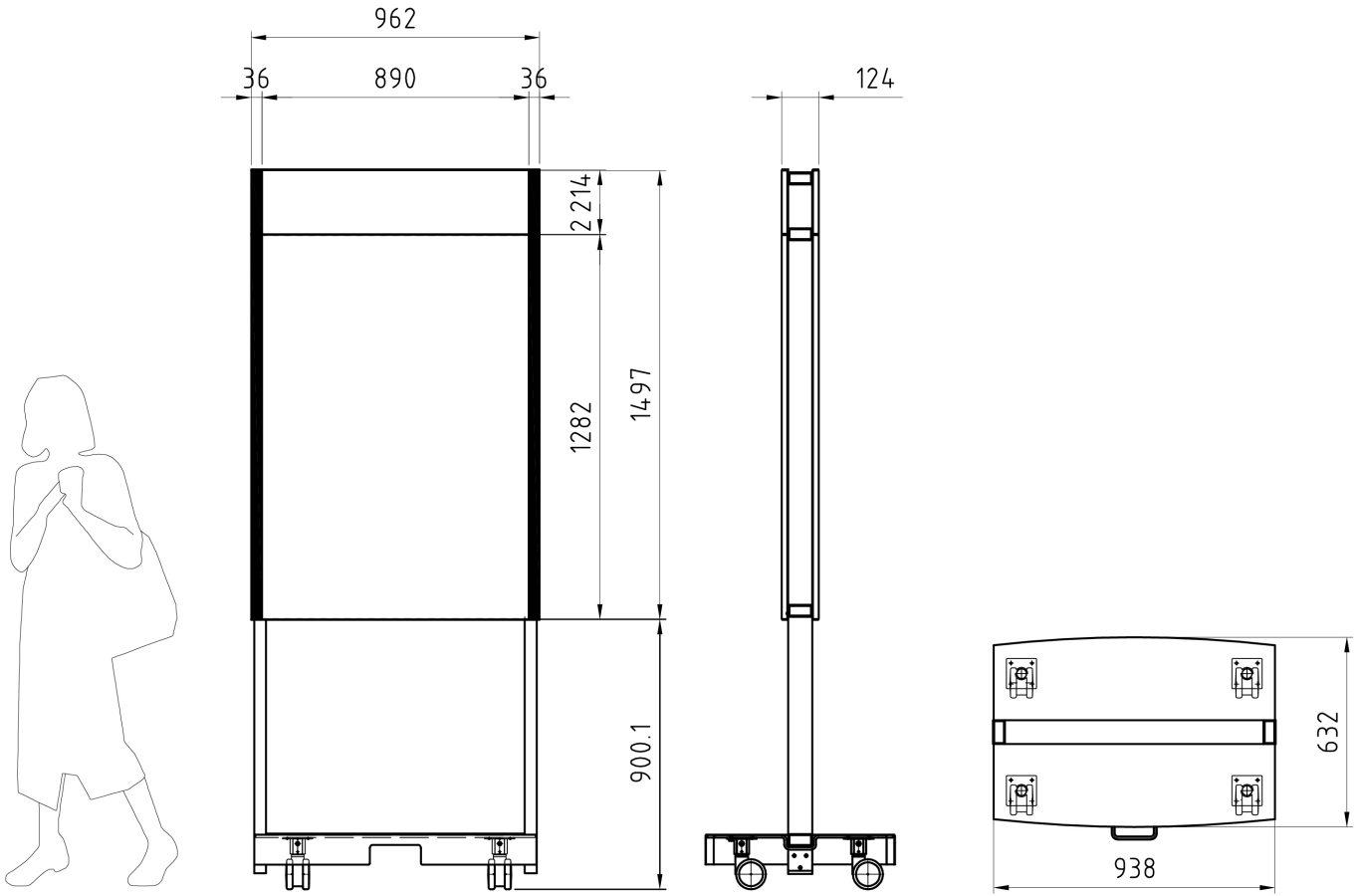
**Lead product and graphic design:
«unit-design»**

Construction

- Supporting structure: particularly stable design made of rectangular anodised aluminium tubes with stainless steel corner connectors and bolted to the sides of the base element.
- Trolley-style base made of powder-coated, thick-walled steel to take special castors with rods and a pedal-locking mechanism; base fitted with a convex, powder-coated, stainless steel apron cover.
- F4 anodised aluminium poster frame (international format) for quick and easy subject changes
- Poster frame visual dimensions: 890mm x 1282mm, panel production dimensions: 915mm x 1280mm
- Frame head section visual dimensions: 890mm x 214mm, panel production dimensions: 915mm x 212mm

Available as:

- Standard model with head section: width 962mm/height 2400mm



GO INFO - Outdoor F4 stele, with concrete base

Stability and flexibility in outdoor areas



Serving to provide specific information on outdoor events and designed in the same style as the mobile indoor steles, the outdoor steles with their stable frame construction and exposed concrete base have been developed for installation in outdoor areas. The F4 poster frame and head section are easy to change without tools. Thanks to their massive concrete base, these mobile outdoor steles are resistant to overturning and particularly shockproof and stable during inclement weather. Fitted with hard rubber feet under their concrete base, the steles are easy to transport and position with a forklift or pallet truck.

Construction

- Sturdy steel frame design, welded and hot-dip galvanised with anti-graffiti powder coating, bolted into recesses in the sides of the concrete base
- Concrete base bolted to 4 heavy hard rubber feet for positioning as a free-standing unit using a forklift or pallet truck
- F4 anodised aluminium poster frame (international format) for quick and easy subject changes
- Poster frame visual dimensions: 890mm x 1282mm
- Panel production dimensions: 915mm x 1280mm
- Head section visual dimensions: 890mm x 214mm
- Panel production dimensions: 915mm x 212mm

Available as

- Standard: width 962mm/height 2410mm, base diameter 943mm

Lead product and graphic design:
«unit-design»

GO INFO - Mobile indoor F4 triangular stele

A perfect combination of maximum stability, mobility and function



This F4 triangular stele is a mobile element for indoor use that displays a layout plan of the exhibition halls. This triangular stele can also be fitted with a top section indicating the hall designation. All subjects can be changed within seconds without any need for tools. These steles are particularly stable thanks to their heavy base, but are still easy to manoeuvre in all directions. Three special castors integrated into the base can be simultaneously locked for swivel and rotation by a single pedal. Easy handling, high mobility and smooth running are guaranteed at all times.

Construction

- Supporting structure: particularly stable design made of rectangular anodised aluminium tubes with stainless steel corner connectors and bolted to the sides of the base element.
- Trolley-style base made of powder-coated, thick-walled steel to take special castors with rods and a pedal-locking mechanism; base fitted with a convex, powder-coated, stainless steel apron cover.
- F4 anodised aluminium poster frame (international format) for easy subject change
- F4 plan visual dimensions: 890mm x 1282mm, panel production dimensions: 915mm x 1280mm
- Exhibition hall top section, visual dimensions: 890mm x 526mm, panel production dimensions: 915mm x 524mm

Available as

- Standard stele:
width 962mm / height 2180mm
- Stele with exhibition hall top section:
width 962mm / height 2738mm

Lead product and graphic design:
«unit-design»

