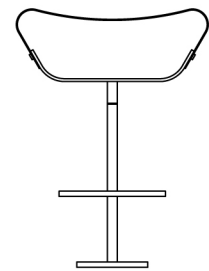


## Evolution

Design: Frédéric Dedelley



**Swivelling stool for the public domain, the indoor and outdoor space.**

**Reduced to the essence: an elastic seat, precious stainless steel frame with swivel-joint. Embedded directly in the ground, with base plate or as bar stool. Evolution revolves through 360°. Playful, unique, communicative: The interaction of form and function results in a new furniture typology. Since 2005 in the Schweizer Möbellexikon (Encyclopaedia of Swiss Furniture).**

### Design:

- Frame and base plate from solid material, ground stainless steel
- stainless steel/sintered bronze swivel joint
- seat plate, stainless steel powder-coated broom yellow (RAL 1032), pure orange (RAL 2004), white (RAL 9001) or leaf green (RAL 6002)

Other colours on request.

### Mounting

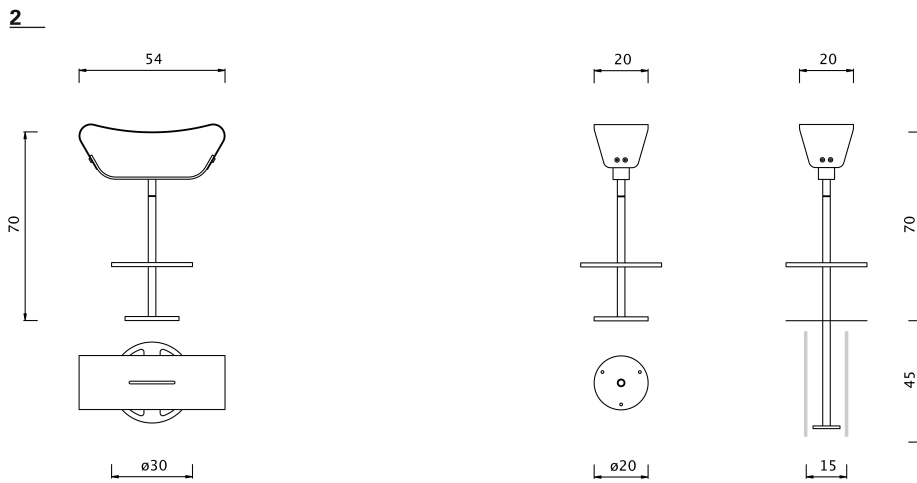
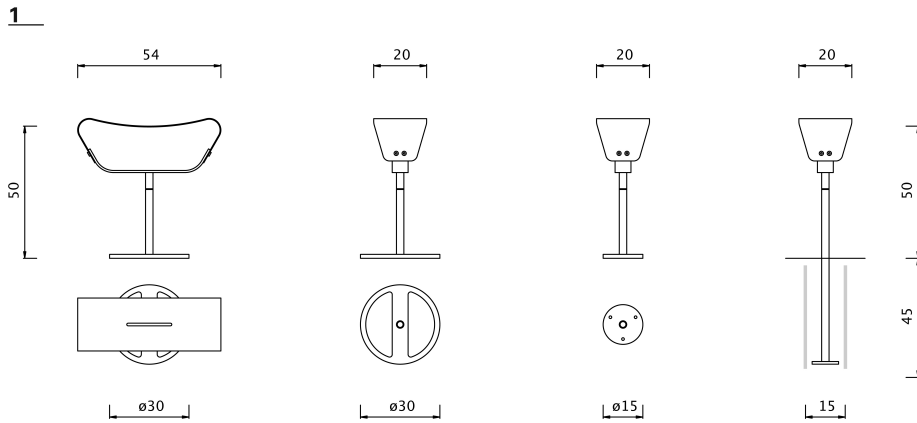
- free-standing with base plate
- to be set in concrete
- with small base plate to be mounted with anchor bolts
- bar stool with base ring, to be mounted with anchor bolts or to be set in concrete.

### Models

Swivelling stool, single seater

- Evolution with base plate
- Evolution free-standing to be set in concrete
- Evolution to be bolted with small base plate
- Evolution bar stool

For technical specifications see reverse.  
Prices according to price list.



**Evolution swivelling single seater with base plate**

- height 500mm
- weight 10kg

**Evolution swivelling single seater to be bolted with small base plate**

- height 500mm
- weight 10kg

**Evolution swivelling single seater to be set in concrete**

- height 500mm
- weight 10kg

**Swivelling bar stool, with base ring**

- height 700mm
- weight 14kg

**Colours**

- broom yellow
- pure orange
- white
- leaf green

**Mounting**

- free-standing with base plate
- with base plate to be mounted with anchor bolts
- to be set in concrete in cement pipe