

## BURRI City Lights - Light Boxes, Display Cabinets, Showcases

Simple display cases for the public space, minimum overall depth of only 5-12cm



BURRI City Light display cabinets are based on the frameless profile technology of the thousand fold tried and tested light boxes for poster advertising, LK3000 free-standing and LK4000 for wall mounting.

The overall depth for unlit display cabinets for wall mounting is a mere 5cm, for illuminated showcases 6.5cm. The free-standing, double-sided systems with supports have an overall depth of only 12cm. The display cabinets are equipped with standard magnetic rear panel and can be fitted universally in towns, museums, larger housing estates, military facilities etc. Design, material and workmanship are construed specifically for the heavy exposure in the public space.

### Design

- magnetic rear panel for posting various formats
- if required sliding and tensioning device for crease-free mounting of large-scale posters at a comfortable handling height
- box from extruded aluminium profiles
- all corners welded
- casements with safety glass 6mm, vertically hinged with pneumatic springs
- slotted nozzles for natural ventilation

### Lighting technology

- magnetic rear panel, illuminated from above
- T5 FL-tubes (LED on request)
- electronic ballast, plug connection
- long-lasting longlife tubes on request
- easy replacement of tubes and electronic ballast

Poster Lightbox LK3000LED  
- BURRI Swiss Economy LED-Lightdispersion Module

### Wall mounting

- wall mounting with anchor bolts
- mounting onto anchor structure

### Mounting free-standing

- onto on-site foundations with mounting brackets on support
- onto area planking with base plates, secured with anchor bolts

### City Light display cabinets wall AK/AKB4000

Overall depth 6.5cm

**A) AK4000, unlit display cabinet, magnetic rear panel.**

**B) AKB4000, display cabinet, illuminated from above, magnetic rear panel.**

**C) LK4000LED, Poster Light Box LED**

### City Light display cabinets free-standing AK/AKB3000

double-sided, overall depth of 12 cm

**A) AK3000, unlit display cabinet, magnetic rear panel.**

**B) AKB3000, display cabinet, illuminated from above, magnetic rear panel.**

**C) LK3000LED, Poster Light Box LED**

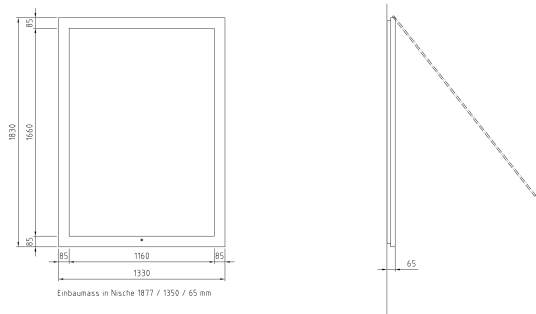
max. poster dimensions/ posting area:

- F 200, 170 x 120 cm
- F12, 271.5 x 128 cm
- F 4, 128 x 90.5 cm

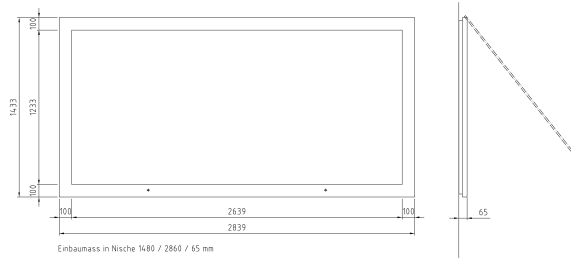
Other formats on request.

For technical specifications see reverse. Prices on request.

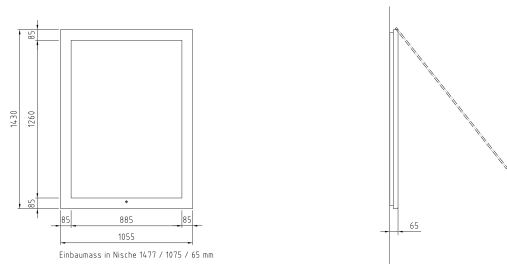
**1**



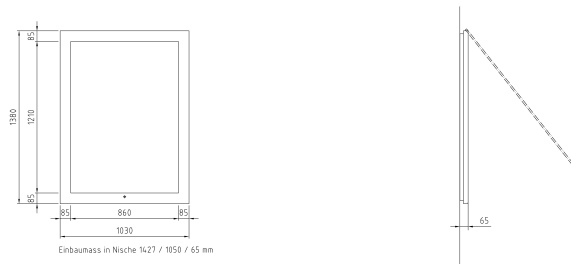
**2**



**3**



**4**



**BURRI City Lights - AK/AKB4000**

**1**

**Display Cabinet AK4000, F200**

A) Unlit display cabinet, magnetic rear panel.

**Display Cabinet AKB4000, F200**

B) Display cabinet illuminated from above, magnetic rear panel

**Poster Light Box LK4000, F200**

C) LED Light box, for backlit posters.

**2**

**Display Cabinet AK4000, F12**

A) Unlit display cabinet, magnetic rear panel.

**Display Cabinet AKB4000, F12**

B) Display cabinet illuminated from above, magnetic rear panel

**Poster Light Box LK4000, F12**

C) LED Light box, for backlit posters.

**3**

**Display Cabinet AK4000, F4**

A) Unlit display cabinet, magnetic rear panel.

**Display Cabinet AKB4000, F4**

B) Display cabinet illuminated from above, magnetic rear panel

**Poster Light Box LK4000, F4**

C) LED Light box, for backlit posters.

**Lighting technology**

- T5 FL-tubes, longlife tubes on request
- With extra small strip light with integrated electronic ballast
- LED Lighting on request

**Poster Lightbox LK4000 for backlit posters:**

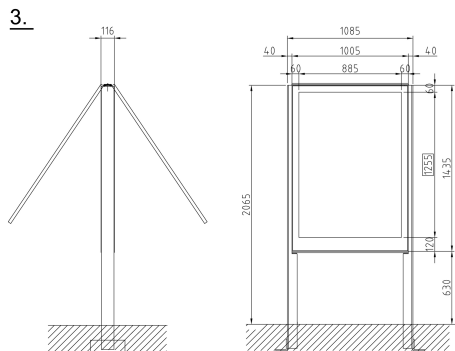
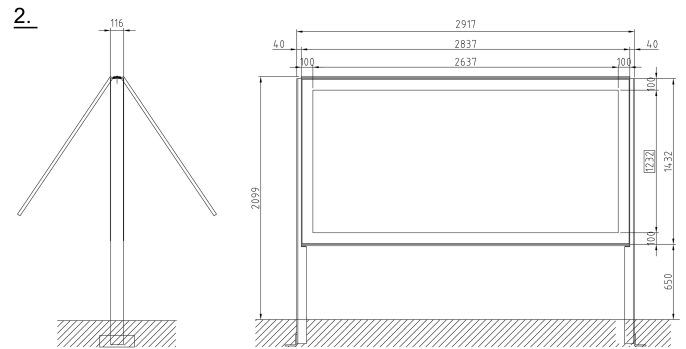
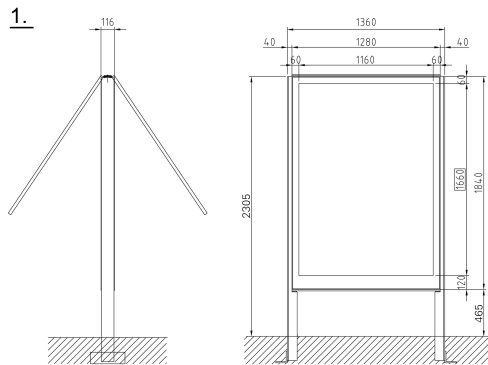
- BURRI Swiss Economy LED-Lightdispersion Module

**Mounting**

- mounting bracket at side supports onto on-site foundation
- with base plate on request

Dimensional drawings and foundation drawings on request.

Other formats on request.



## BURRI City Lights - AK/AKB3000

### 1.

#### Display Cabinet AK3000, F200

A) Unlit display cabinet, magnetic rear panel.

#### Display Cabinet AKB3000, F200

B) Display cabinet illuminated from above, magnetic rear panel.

#### Poster Light Box LK3000, F200

C) LED Light box, for backlit posters.

### 2.

#### Display Cabinet AK3000, F12

A) Unlit display cabinet, magnetic rear panel.

#### Display Cabinet AKB3000, F12

B) Display cabinet illuminated from above, magnetic rear panel.

#### Poster Light Box LK3000, F12

C) LED Light box, for backlit posters.

### 3.

#### Display Cabinet AK3000, F4

A) Unlit display cabinet, magnetic rear panel.

#### Display Cabinet AKB3000, F4

B) Display cabinet illuminated from above, magnetic rear panel.

#### Poster Light Box LK3000, F4

C) LED Light box, for backlit posters.

### Lighting technology

Display Cabinet, lighting from above:  
 - T5 FL-tubes, longlife tubes on request  
 - fuse element

Poster Light box LK3000 for backlit posters:  
 - BURRI Swiss Economy LED-Light-dispersion Module.

### Mounting

- mounting bracket at side supports  
 onto on-site foundation  
 - with base plate on request

## BURRI City Lights - LK4000 Swiss Economy LED Light-dispersion module

The new standard for public space, railway stations, airports, indoor & outdoor



Besides the Swiss central railway terminals, the BURRI Light Box LK4000 is also encountered at Zurich Airport and in the entire public space in Switzerland. Fitted with the latest LED lighting technology, equipped with our BURRI Swiss Economy LED light dispersion module, the City Lights LK4000 are convincing through their perfect light distribution at a minimal overall depth. The small overall depth of 65 mm as well as the frameless safety glass casements complies with the sophisticated design requirements in the public space.

The BURRI City Lights LK4000 were developed specifically for the outdoor and indoor space with frequent design changeover and are suitable for locations with extreme weather conditions.

### Design

- sliding and tensioning device for crease-free mounting of the posters at convenient handling height
- extruded aluminium profile side supports
- box from extruded aluminium profiles
- all corners welded, roughcast
- casements with safety glass 6mm, vertically hinged with pneumatic springs
- slotted nozzles for natural ventilation
- fuse element separately accessible

### Lighting technology

- light module with light dispersion panel BURRI Swiss Economy LED light dispersion module: perfect light distribution, less energy, less heat
- alternative:
  - T5 FL-tubes with electronic ballast
  - electronic ballast with plug connection
  - long-lasting longlife tubes on request
  - easy replacement of tubes and electronic ballast

external fuse protection, on-site

### Mounting

- wall mounting with anchor bolts
- mounting on substructure

### Standard models City Lights LK4000

Overall depth 6.5 cm

#### A1) City Lights LK4000LED

Poster light box backlit, with BURRI Swiss Economy light dispersion module, energy efficient and low maintenance.

#### A2) City Lights LK4000FL

Poster light box backlit, with light dispersion module and T5 FL-tubes.

### City Lights - display cabinets, show cases

with magnetic rear panel

- AK4000 unlit
- AKB4000 illuminated from above, See catalogue sheet "BURRI City Lights - display cabinets, show cases".

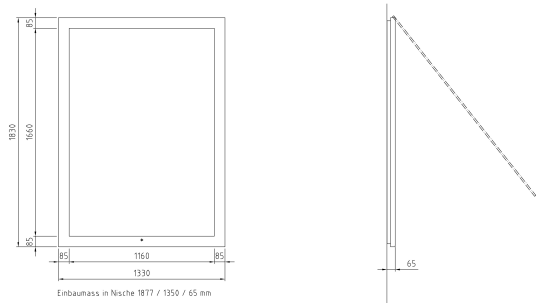
### Poster dimensions:

- F 200, 170 x 120 cm
- F12, 271.5 x 128 cm
- F 4, 128 x 90.5 cm
- max. size approx. 200 x 300 cm.

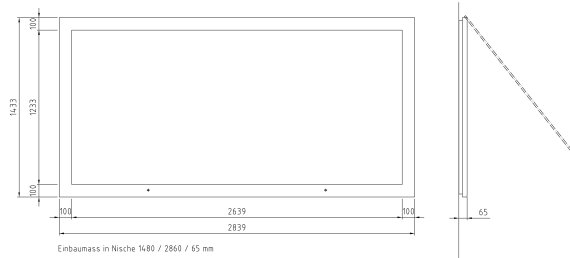
Other formats on request.

For technical specifications see reverse. Prices according to price list

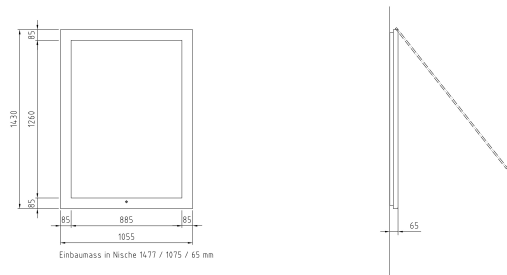
**1**



**2**



**3**



**BURRI City Lights - LK4000:**

**1**

**LED Poster Light Box LK4000LED, F200**

A1) Backlit poster light box, with BURRI Swiss Economy LED light dispersion module, max. 75W.

**Poster Light Box LK4000FL, F200**

A2) Backlit poster light box, with light dispersion module and T5 FL-tubes, max. 160W.

**2**

**LED Poster Light Box LK4000LED, F12**

A1) Backlit poster light box, with BURRI Swiss Economy LED light dispersion module, max. 125W.

**Poster Light Box LK4000FL, F12**

A2) Backlit poster light box, with light dispersion module and T5 FL-tubes, max. 280W.

**3**

**LED Poster Light Box LK4000LED, F4**

A1) Backlit poster light box, with BURRI Swiss Economy LED light dispersion module, max. 50W.

**Poster Light Box LK4000FL, F4**

A2) Backlit poster light box, with light dispersion module and T5 FL-tubes, max 120W.

**City Lights - display cabinets, show cases**

with magnetic rear panel  
- AK4000 unlit  
- AKB4000 illuminated from above,  
See catalogue sheet "BURRI City Lights - display cabinets, show cases".

**Lighting technology**

- Light dispersion module in sandwich construction
- BURRI Swiss Economy LED Light-dispersion module, low energy alternative:
- T5 FL-tubes with electronic ballast
- long-lasting longlife tubes on request

external fuse protection, on-site

**Mounting**

- wall mounting with anchor bolts
- mounting on substructure

## BURRI City Lights - LK3000 Swiss Economy LED-Lightdispersion Module

The new standard for free-standing showcases and light boxes.



Besides at Zurich Airport, the BURRI City Lights LK3000, double-sided, are also encountered in the entire Swiss public space. The small overall depth of 12 cm of the free-standing LK3000, double-sided, as well as the frame-less safety glass casements comply with the sophisticated design and maintenance requirements in the public space. It enables optimal display of advertising, artwork or information even in spatially difficult situations. The system can be implemented as backlit poster light box or as showcase with magnetic rear panel.

High luminance, optimum handling, vandal-proof design and low electricity consumption make the BURRI City Light Poster Light Box LK3000 a public element suitable for everyday use. Available with BURRI Swiss Economy LED-Lightdispersion Module or T5 FL-tubes.

### Design

- sliding and tensioning device for crease-free mounting of the posters at convenient handling height
- or magnetic rear panel for posting various formats
- extruded aluminium profile side supports
- box from extruded aluminium profiles
- all corners welded
- casements with safety glass 6mm, vertically hinged with pneumatic springs
- slotted nozzles for natural ventilation
- fuse element

### Lighting technology

- BURRI Swiss Economy LED-Lightdispersion Module, energy efficient, perfect equal lighting
- or:
- T5 FL-tubes with electronic ballast
- electronic ballast with plug connection
- long-lasting longlife tubes on request
- easy replacement of tubes and electronic ballasts
- fuse element

### Mounting

- onto on-site foundations with mounting brackets on support
- onto area planking with base plates, secured with anchor bolts

**Standard models City Lights LK3000**  
free-standing, one- or double-sided  
overall depth 12 cm

### A1) City Light - poster light box LK3000LED

Backlit, with BURRI Swiss Economy Lightdispersion Module, energy efficient and low maintainance

**A2) City Light - poster light box LK3000FL**  
Backlit, with light dispersion module and T5 FL-tubes

### City Lights - display cabinets, show cases

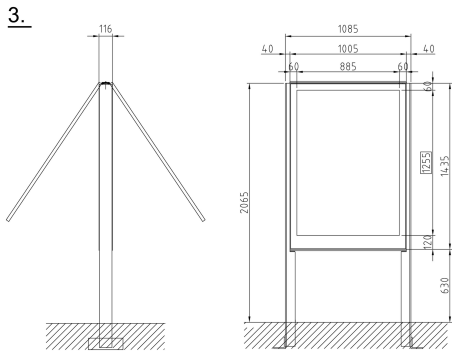
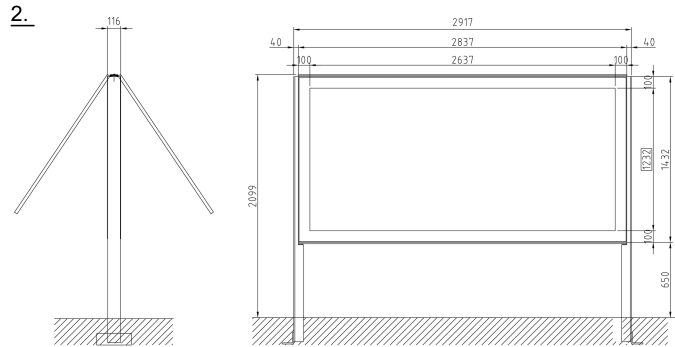
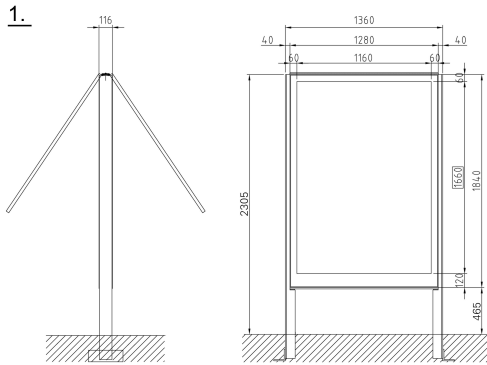
with magnetic rear panel  
- AK3000 unlit, with magnetic rear panel  
- AKB3000 illuminated from above,  
See catalogue sheet "BURRI City Lights - display cabinets, show cases".

Poster dimensions or posting area:

- F 200, 170 x 120 cm
- F12, 271.5 x 128 cm
- F 4, 128 x 90.5 cm

Other formats on request.

For technical specifications see reverse.  
Prices according to price list



## BURRI City Lights - LK3000

### 1. Poster Light Box LK3000LED, F200 double-sided

A1) Backlit poster light box, with BURRI Swiss Economy LED-Lightdispersion Module, ca. 75W

### Poster Light Box LK3000FL, F200 double-sided

A2) Backlit poster light box, with light dispersion module and T5 FL-tubes, ca.160W

### 2. Poster Light Box LK3000LED, F12 double-sided

A1) Backlit poster light box, with BURRI Swiss economy LED-Lightdispersion Module, ca. 140W

### Poster Light Box LK3000FL, F12 double-sided

A2) Backlit poster light box, with light dispersion module and T5 FL-tubes, ca.280W

### 3. Poster Light Box LK3000LED, F4 double-sided

A1) Backlit poster light box, with BURRI Swiss Economy LED-Lightdispersion Module, ca. 65W

### Poster Light Box LK3000FL, F4 double-sided

A2) Backlit poster light box, with light dispersion module and T5 FL-tubes, ca.120W

### City Lights - display cabinets/show cases:

- with magnetic rear panel
  - AK3000 unlit
  - AKB3000 illuminated from above
- See catalogue sheet "BURRI City Lights - display cabinets/show cases"

### Lighting technology

- Light dispersion module in sandwich construction
- BURRI Swiss Economy LED Lightdispersion module, low energy alternative:
  - T5 FL-tubes with electronic ballast
  - long-lasting longlife tubes on request
  - display cabinet with extra small strip light with integrated electronic ballast
  - fuse protection

### Mounting

- mounting brackets at side supports, onto on-site foundation
- with base plate on request

Dimensional drawings and foundation drawings on request.

## BURRI City Lights - steles for information and advertising

NEW: Swiss Economy LED Light dispersion module - Information system for the public space



The BURRI City Lights information and advertising system is a modular construction system for indoor and outdoor information and advertising in various formats and designs. The frame structures for the light boxes are based on the LK3000LED System for poster advertising, tried and tested in the public outdoor space.

The 12cm-flat, one- or double-sided showcases are illuminated with the new BURRI Swiss Economy LED light dispersion panel. The glass casements are hinged vertically with pneumatic springs. Optimum handling, low maintenance costs and very low electricity consumption are the advantages of this flexible modular construction system with its simple design.

### Design

- sliding and tensioning device for crease-free mounting of the posters at convenient handling height
- base with solid steel substructure
- base plates of ground stainless steel, or powder-coated coloured
- lateral bracing stainless steel ground, or steel powder-coated 120/12mm
- box from extruded aluminium profiles
- all corners welded, roughcast
- casements with safety glass 6mm, vertically hinged with pneumatic springs
- sliding and tensioning device for crease-free mounting of the posters at convenient handling height
- slotted nozzles for natural ventilation

### Lighting technology

- BURRI Swiss Economy LED light dispersion panel: perfect light distribution, less energy, less heat
- fuse protection integrated
- alternative:
  - T5 tubes with electronic ballast (LK3000)
  - electronic ballast with plug connection
  - long-lasting longlife tubes on request
  - easy replacement of tubes and electronic ballast
  - fuse protection integrated

### Mounting

- onto on-site foundations
- onto solid floor (concrete)
- on area planking secured with anchor bolts

### Standard models

free-standing, one- or double-sided, overall depth of 12cm

#### A1) City Light Stele LK3000LED, F200

Backlit poster light box, with BURRI Swiss Economy LED light dispersion panel, 75W

#### A2) City Light Stele LK3000LED, F4

Backlit poster light box, with BURRI Swiss Economy LED light dispersion panel, 65W

#### B) City Light Stele AKB/AK3000, F200/F4 Display cabinet

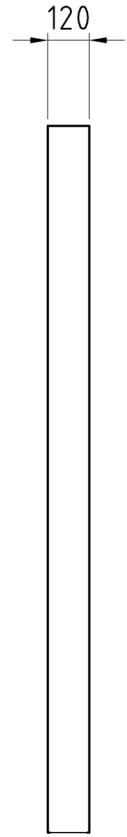
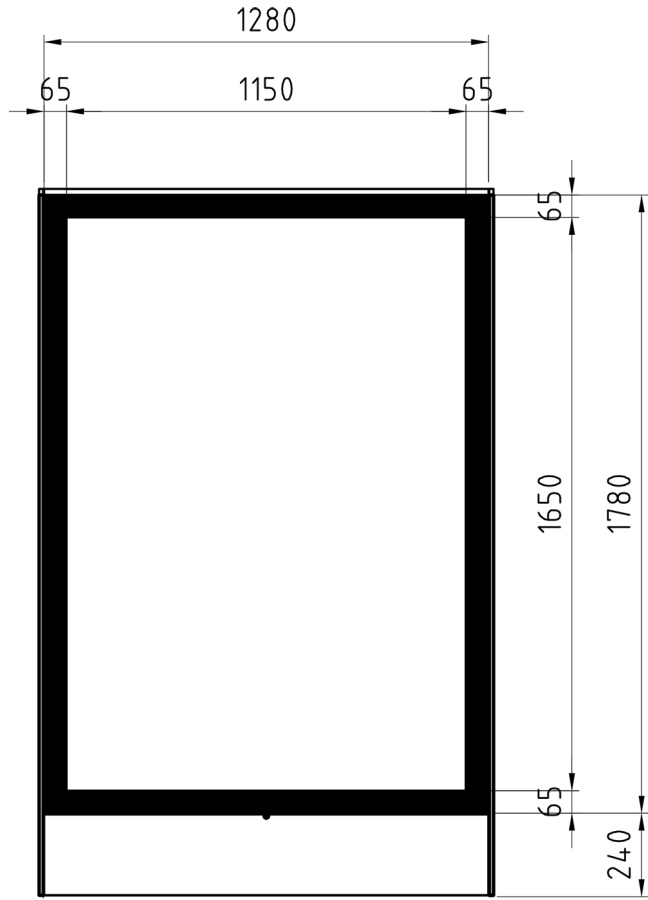
illuminated from above or unlit, with magnetic rear panel.

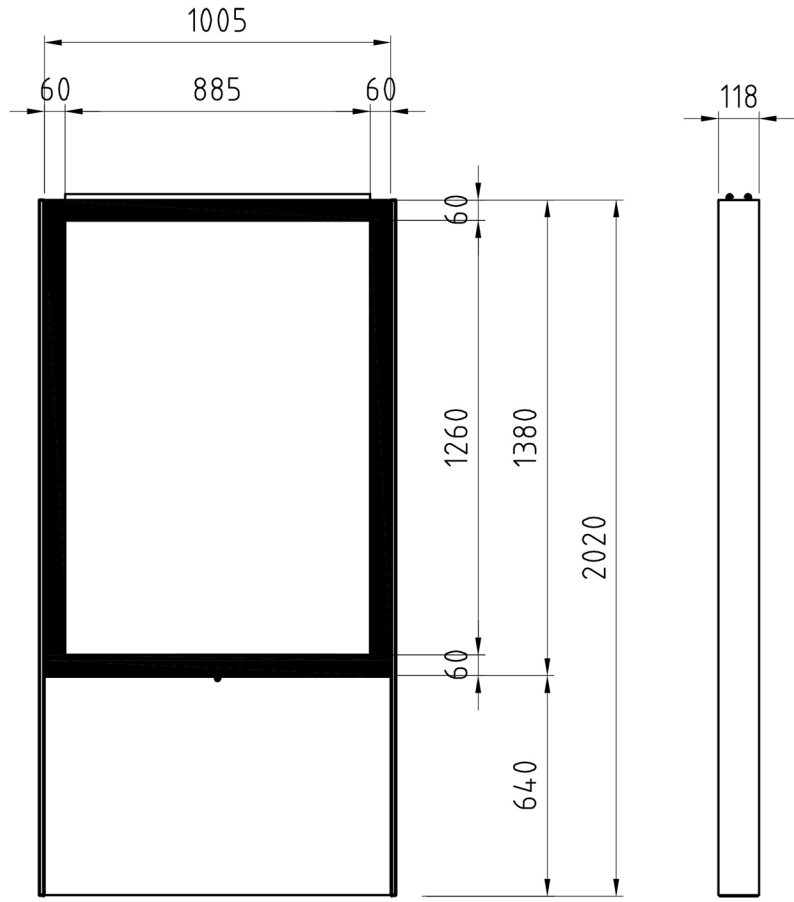
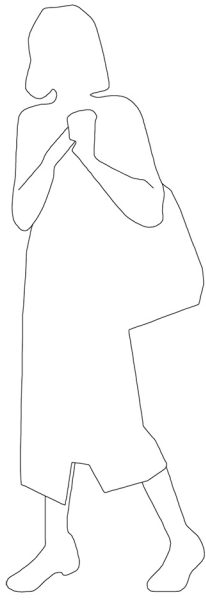
### Poster dimensions or posting area:

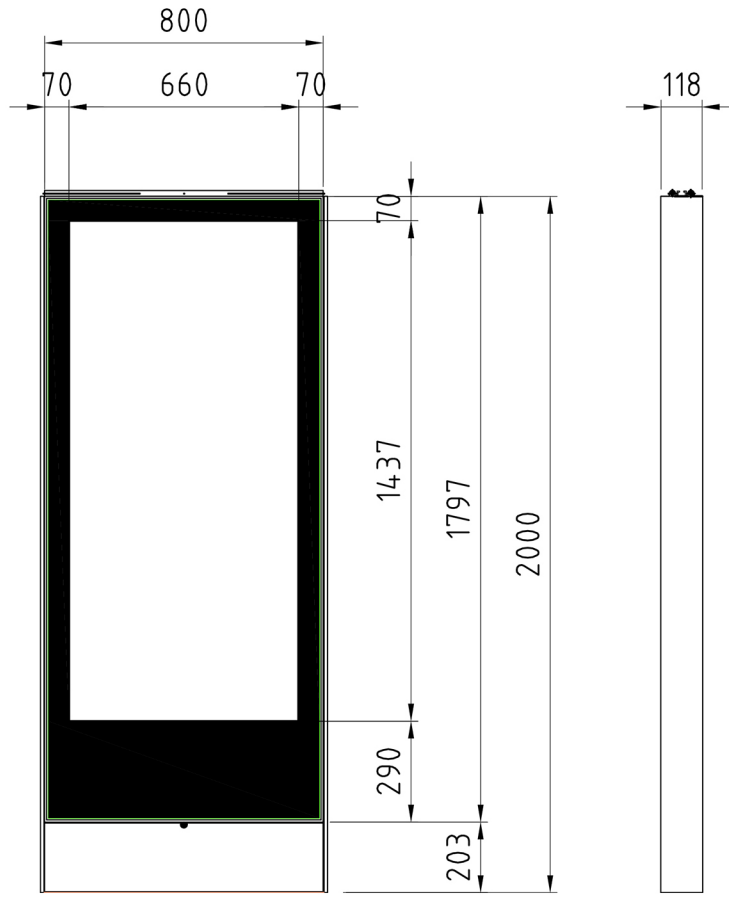
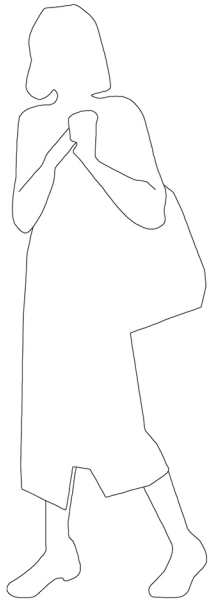
- F 200, 170 x 120cm
- F 4, 128 x 90.5cm

Other formats and designs, integration of graphics or lettering behind glass, as well as dimension sheets on request.





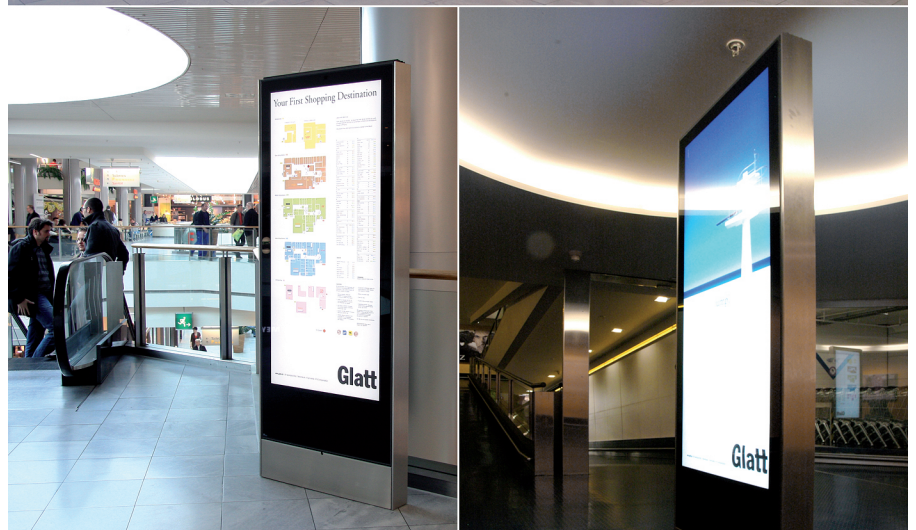




## BURRI City Lights - Info-stands

Orientation guides with airport aesthetics

### BURRI City Lights - Info-stands



The slim line 12cm BURRI City Lights are equipped with double-sided BURRI Swiss Economy LED light dispersion modules. The City Lights are made up of a modular system with light boxes and base elements in various formats and designs, for indoors and out. Using the LK 3000 for advertising posters as the basis for the frame design has allowed us to implement a sophisticated system. The City Light glass panels can be swung open vertically by means of gas springs, enabling the display objects to be changed effortlessly. The benefits of this modular system are its very high stability, optimal handling, low maintenance requirements and minimal power consumption.



## technical innovation

---



### **Double-sided LED light-dispersion modules** *Minimal maintenance - efficient and durable*

BURRI's LED light-dispersion modules with sandwich design (patented/"modèle déposé") provide an optimal use of light and very homogeneous illumination with side light irradiation and easily removable LED rails. With a thickness of only 16mm, the modules enable graphic surfaces measuring up to 3m x 2m to be back-lit on both sides. A special layering structure enables double-sided lighting with just one light-dispersion plate, without the light shining through.

---

## economic efficiency

---



### **BURRI Swiss Economy LED light-dispersion modules** *Ultra-slim light module as a light box for indoor applications*

BURRI Swiss Economy LED light-dispersion modules were developed as a flat light source for light boxes and signs. Perfect shadow-less illumination, top energy efficiency, low heat transmission and minimal life-cycle costs are some of the module's major advantages. At widths of up to roughly 60cm, power consumption is 20W/rm (running metre); for large formats with double-sided power supply it is 2x20W/rm, for single- or double-sided lighting.