

BURRI Public Bin 50 litres, Classic Zinc

discreet design with technical sophistication and a classic hot-dip galvanised surface



In its classic hot-dip galvanised version, the Public Bin receptacle is simple, timeless and harmonises perfectly with all types of new and existing public facilities.

The Public Bin is easy to open from both sides. Thanks to an adjustable cushioning cylinder, the container's dead weight is used for tilting into the removal position, with no pull required. The aluminium inner receptacle can then be easily removed and emptied. The Public Bin locks automatically when pushed back into place.

Mounting options: on walls, free-standing on square posts or on existing masts with CNS straps.

Design

- 3mm steel outer container, laser cut, rolled, welded
- 4mm steel wall bracket, hot-dip galvanised
- 8mm steel weather-proof lid
- Self-closing latch and solid end-to-end hinge shaft, stainless steel/CNS
- Removable inner aluminium receptacle, rolled, seamed, with drainage holes, deep rim and elevated handle, suitable for handling with gloves
- Solid square post, flow drill bore holes with rolled threads
- Surface: hot-dip galvanised

Installation

- Freestanding with square support post on a 20cm concrete pipe
- Wall mounted
- On existing masts with CNS straps

Public Bin models: Public Bin 50 litres with inner receptacle

- Public Bin wall mounted
- Public bin with square support post
- Public Bin on mast

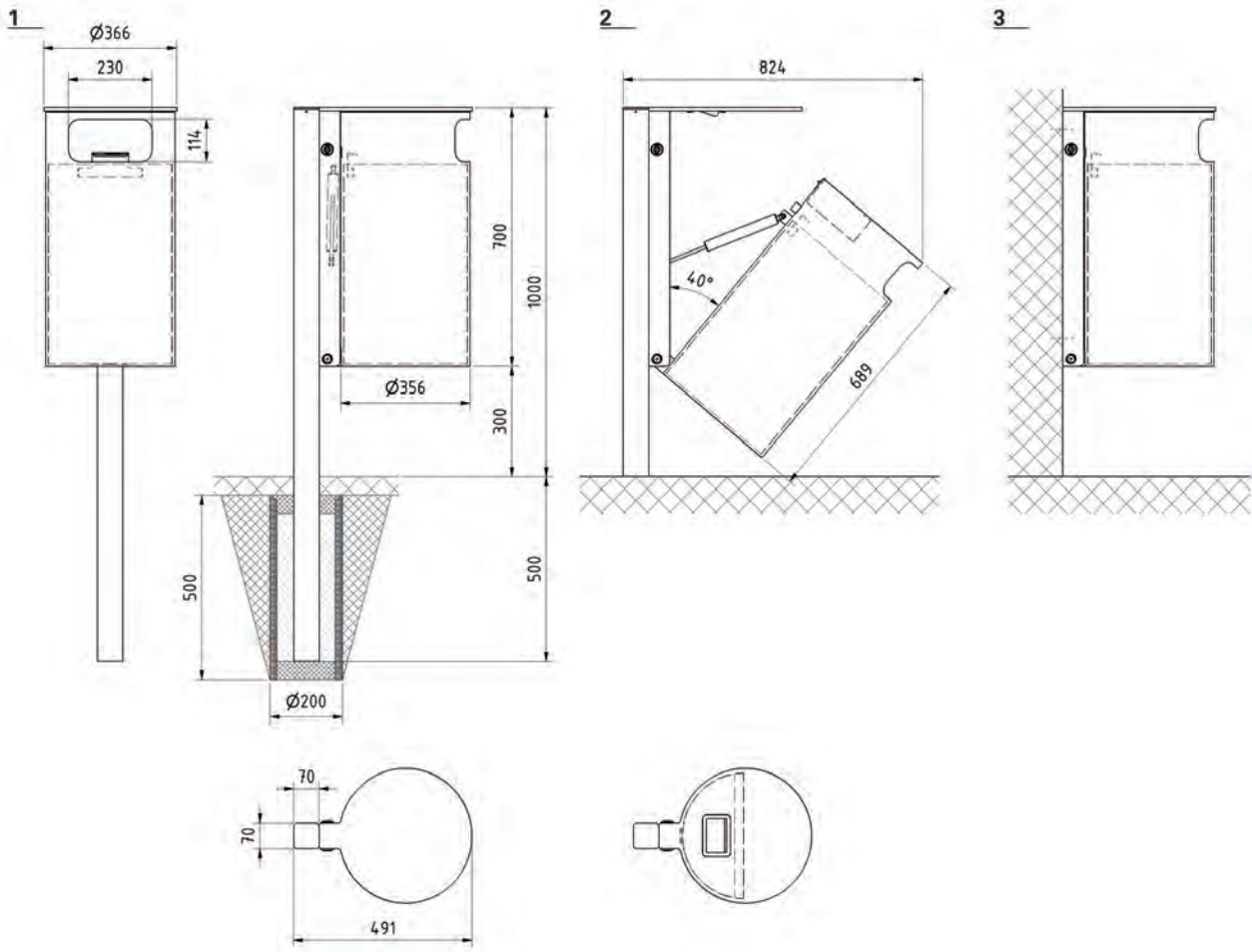
Public Bin models with integrated ashtray, stainless steel/CNS:

- Public Bin 50 litres with inner receptacle
- Public Bin wall mounted
 - Public bin with square support post
 - Public Bin on mast

On request:

- Public Bin with side opening
- Post for 1 Public Bin, hole on rear for dog waste bags
- Post for 2 Public Bins in one axis.
- Post for 2 Public Bins at a 90° angle
- Post for 3 Public Bins

See p. 2-3 for technical specifications



1
Public Bin for square supporting post:
 Public Bin 50 litres, with inner container.

- Diameter 366 mm
- Height 700 mm
- Weight Public Bin 35 kg

Square supporting post for 1 Public Bin 50 L

Solid post made of thick-walled square steel pipe, hot-dip galvanised and industrially powder-coated with anti-graffiti paint, with flow drill bore holes and high-quality, rolled threads for mounting the waste bin.

- Overall height of post 1.5 m
- Height from finished level ground 1.0 m
- Finished level ground up to the Public Bin 0.3 m
- Weight of square supporting post 13 kg

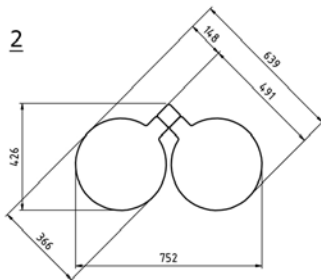
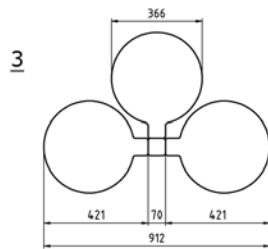
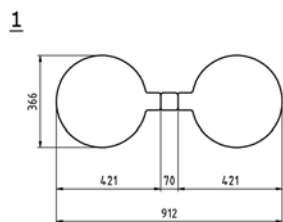
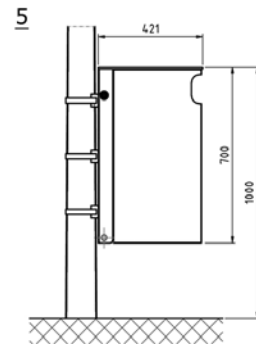
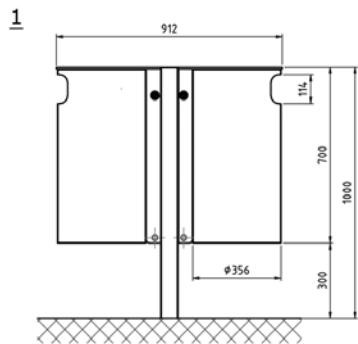
2
Public Bin for wall mounting:
 Public Bin 50 litres, with inner container.

Design as Public Bin for square supporting post.

Mounting:

- Free-standing with square supporting post for sand back-filling in 20 cm concrete pipe
- Wall mounting with wall plugs or anchors

Mounting onto existing masts with CNS straps cf. p.3



Special square supporting post for Public Bin 50L:

1-3

On request:

- Post for 2 Public Bins in one shaft
- Post for 2 Public Bins at a 90° angle
- Post for 3 Public Bins
- Post for 4 Public Bins

Post for 1 Public Bin with hole for dog waste bag dispenser on the back

Mounting onto mast:

Public Bin 50 litre, on existing mast by means of CNS straps.

Connection parts and CNS straps on request.

BURRI Public Bin - waste management system

Urban design for public space with technical innovation

User-friendly waste management system for parks



Public Bin (patent) provides the functional design for versatile deployment in parks and in the urban context. Public Bin 50L/110L can be opened easily from both sides. Thanks to an adjustable cushioning cylinder the bin tilts slowly into the removal position due to its high dead weight (3 mm stainless steel/CNS).

The inner container can be removed and emptied easily. The container locks automatically when pushed back. With the BURRI waste management system a separation of waste is easily possible with your favorite solution. Public Bin can be mounted simply on the wall or onto posts. Design, material and surfaces reduce upkeep to a minimum.

As with all public elements by BURRI, the longevity is to be measured in decades.



project partner(s)



Easy handling with high resistance to vandalism

Robust, flexible, durable

Public Bin was developed in collaboration with waste disposal experts from public authorities.

The requirements were:

- Simple appearance for parks and the public space
- Very high resilience, resistance to vandalism, easy maintenance
- Simple to open and to close with one hand
- Simple to empty, even with work gloves
- Flexible mounting: free-standing on posts, wall or masts
- Fire-proof inner container for use with or without bin bag
- Good price/performance ratio

technical innovation



New technology simplifies handling

Transfer of know-how from other company divisions

When unlocking, the Public Bin tilts into the removal position by means of an adjustable cushioning cylinder due to its dead weight. The strain on the maintenance personnel is reduced distinctively, as emptying is simplified and accelerated. The elevated handle and the deep rim on the base of the inner container facilitate handling with work gloves.

The access from two sides, ergonomic emptying and the different options of waste separation guarantee efficient handling with full flexibility for environmentally-friendly disposal.

economic efficiency



Keeping parks and urban spaces clean at low maintenance

Material selection and design features systematically reduce upkeep

Public Bin combines serviceability and economic efficiency. The anti-graffiti coating and the solid 3mm stainless steel/CNS design make the waste management system particularly resistant to vandalism and save maintenance costs.

The rolled and seamed inner aluminium container with drainage slots requires no bin bags and accelerates handling considerably. Multiple combinations in various combinations on a support tube or separation of waste by up to 3 indoor tanks at Public Bin 110L enable economical solutions with environmentally disposal.